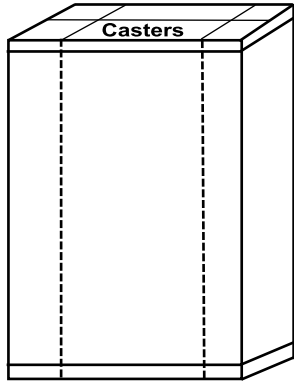


CASTER INSTALLATION INSTRUCTIONS

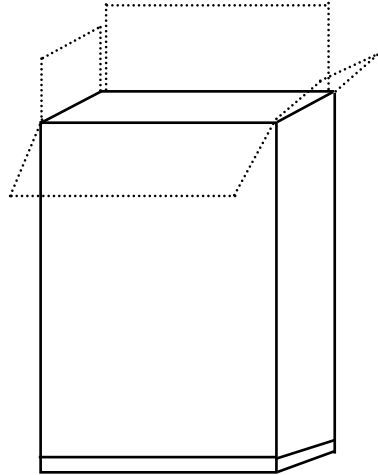
1

Locate the side of the box that has the "Casters" sticker and place the box with that side facing up.



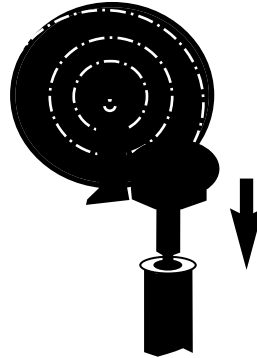
2

Open the box, reach in and pull out the casters.



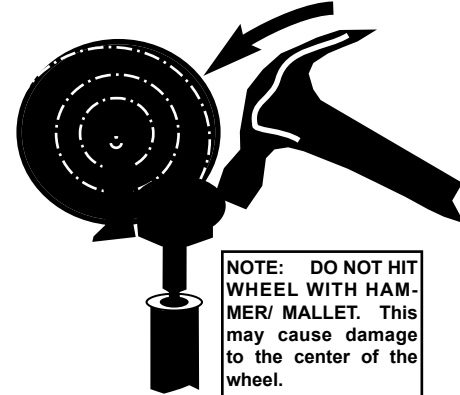
3

Push Casters in by hand as far as possible.



4

Set Casters by hitting the lip with hammer or rubber mallet.



NOTE: DO NOT HIT WHEEL WITH HAMMER/ MALLET. This may cause damage to the center of the wheel.

NOTE: STEP 1 AND 2 ARE IMPORTANT. YOU NEED TO LOCATE THE SIDE OF THE BOX THAT HAS THE "CASTERS" STICKER AND SET THE BOX DOWN WITH THAT SIDE FACE UP. IT IS IMPORTANT THAT THE ITEM IS KEPT IN THE BOX AND/OR ON A SOFT SURFACE WHILE HAMMERING IN THE CASTERS SO AS NOT TO SCRATCH THE TOP OF THE UNIT!

Customer Service 800-886-8688
Fax 312-733-8356
Email custservice@buddyproducts.com
www.buddyproducts.com

Buddy Products

Chicago, IL