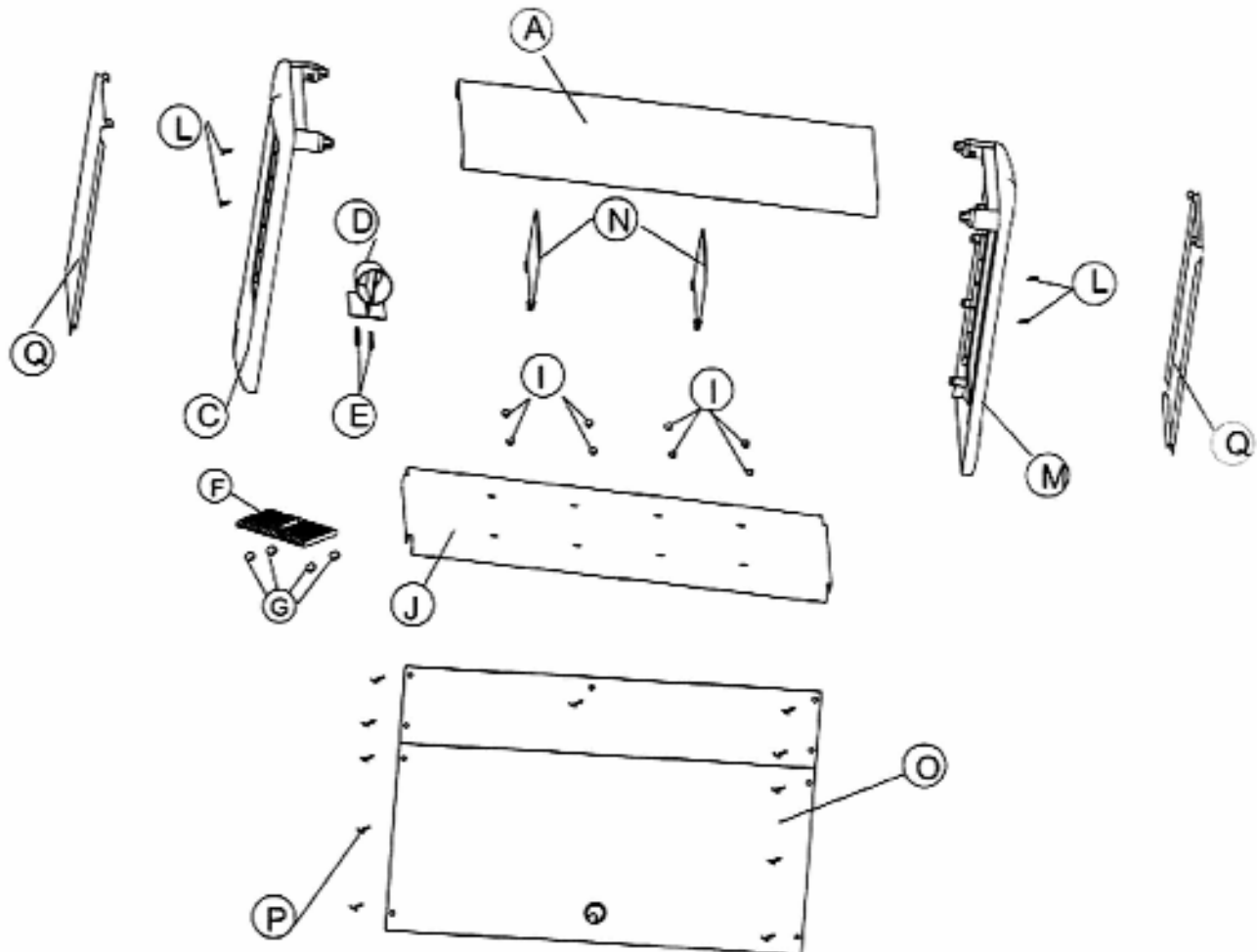


PARTSLIST			
LETTER CODE	DESCRIPTION	QTY	PART NO
A	TOP	1	1118A
C	LEFT END	1	1118C
D	PENCIL CUP	1	1118D
E	ADHESIVE TAPE	4	1118E
F	CD STORAGE	1	1118F
G	FEET	8	1118G
I	HOLE INSERT	8	1118I

PARTSLIST			
LETTER CODE	DESCRIPTION	QTY	PART NO
J	SHELF	1	1118J
L	SCREWS	4	1118L
M	RIGHT END	1	1118M
N	DIVIDERS	2	1118N
O	BACK	1	1118O
P	PUSH FASTENERS	11	1118P
Q	END INSERT	2	1118Q </td

TOOLS REQUIRED: SMALL FLAT-BLADE AND PHILLIPS SCREWDRIVERS



IMPORTANT:

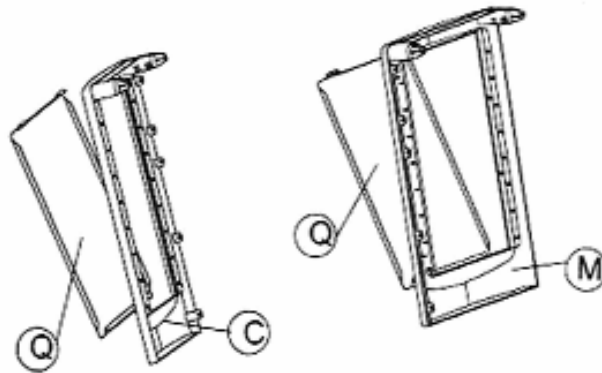
- * Please READ and FOLLOW these instructions carefully.
- * CHECK ALL PACKAGING-there may be parts in it
- * SORT and COUNT your parts compare with the Parts list on page 1. if you encounter problems, please refer to the Product Warranty registration form included with this product

SHOULD YOU NEED ASSISTANCE WITH YOUR PRODUCT PLEASE CALL A BUDDY CUSTOMER SERVICE REPRESENTATIVE.

1-800-886-8688

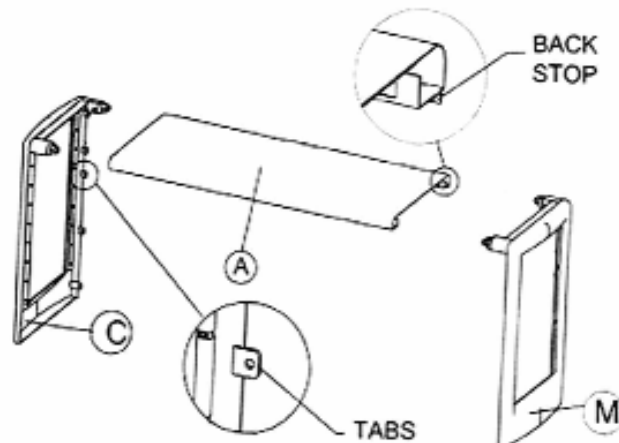
1

REMOVE THE END INSERTS(Q) FROM THE RIGHT(M) AND LEFT(C) ENDS. BY PRESSING UPPER EDGES OF THE END INSERTS AND PULLING OUT.



2

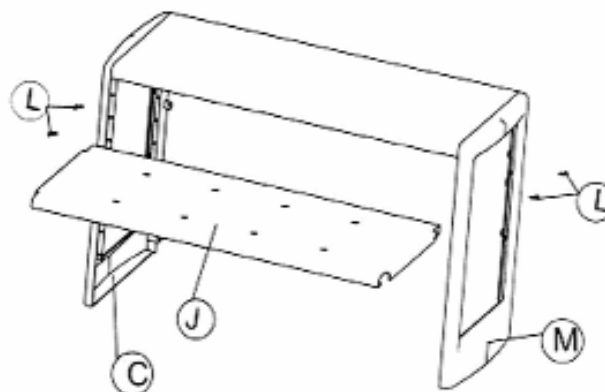
PUSH THE EXTRUDING KNOBS ON THE LEFT AND RIGHT ENDS(C&M) INTO THE ROLL FORMS ON THE TOP(A). MAKE SURE THE TABS ON THE ENDS ARE TOWARDS THE SAME SIDE AS THE BACK STOP ON THE TOP.



Assembly Instructions

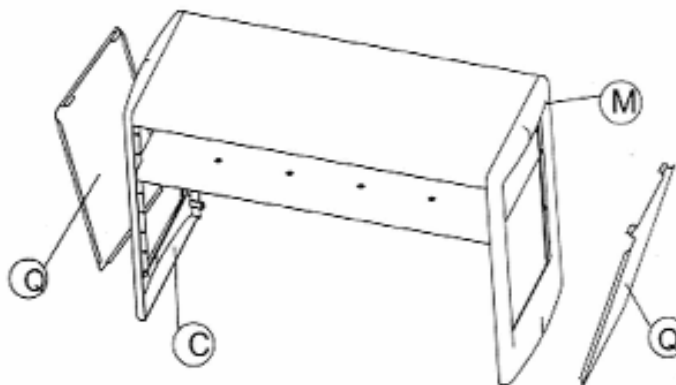
3

STAND THE ASSEMBLY UP. PLACE THE SHELF(J) BETWEEN THE ENDS (C&M), MAKE SURE THE EDGES OF THE SHELF ARE POINTING TOWARDS THE BOTTOM OF THE ASSEMBLY. LINE UP THE HOLES IN THE SIDES OF THE SHELF. USING A PHILLIPS HEAD SCREWDRIVER AND FOUR SCREWS(L), SECURE THE SHELF TO THE ENDS.



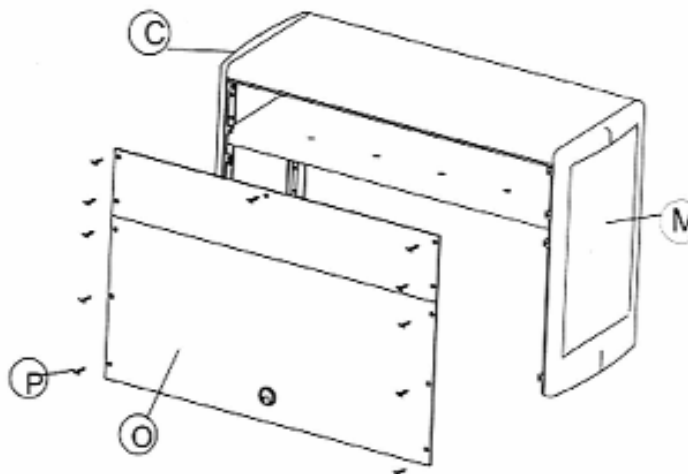
4

PLACE THE END INSERTS(Q) BACK INTO THE ENDS(C&M) BY RESTING THE BOTTOM EDGES OF THE END INSERTS ONTO THE BOTTOM EDGES OF THE ENDS, AND PUSHING THE TOPS OF THE END INSERTS INTO THE ENDS UNTIL THEY SNAP INTO PLACE.



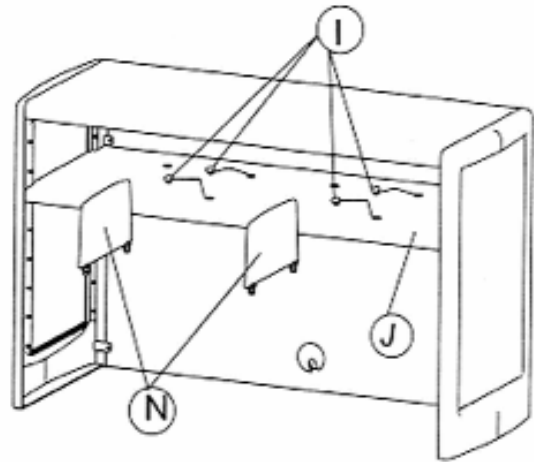
5

LINE THE HOLES IN THE BACK(O) UP WITH THE HOLES IN THE ENDS(C&M). USE THE PUSH FASTENERS(P) TO SECURE THE BACK TO THE ASSEMBLY.



6

PLACE THE DIVIDERS(N) IN THE DESIRED LOCATION BY PLACING THE TABS ON THE BOTTOM OF THE DIVIDERS INTO THE HOLES IN THE SHELVES(J). USE THE HOLE INSERTS(I) TO COVER THE UNUSED HOLES IN THE SHELVES.



7

SLIDE THE PENCIL CUP(D) INTO THE BACK OF THE CD STORAGE(F). USE THE ADHESIVE TAPE(E) TO PERMANENTLY PLACE CD STORAGE/PENCIL CUP ASSEMBLY, OR USE FEET(G).

