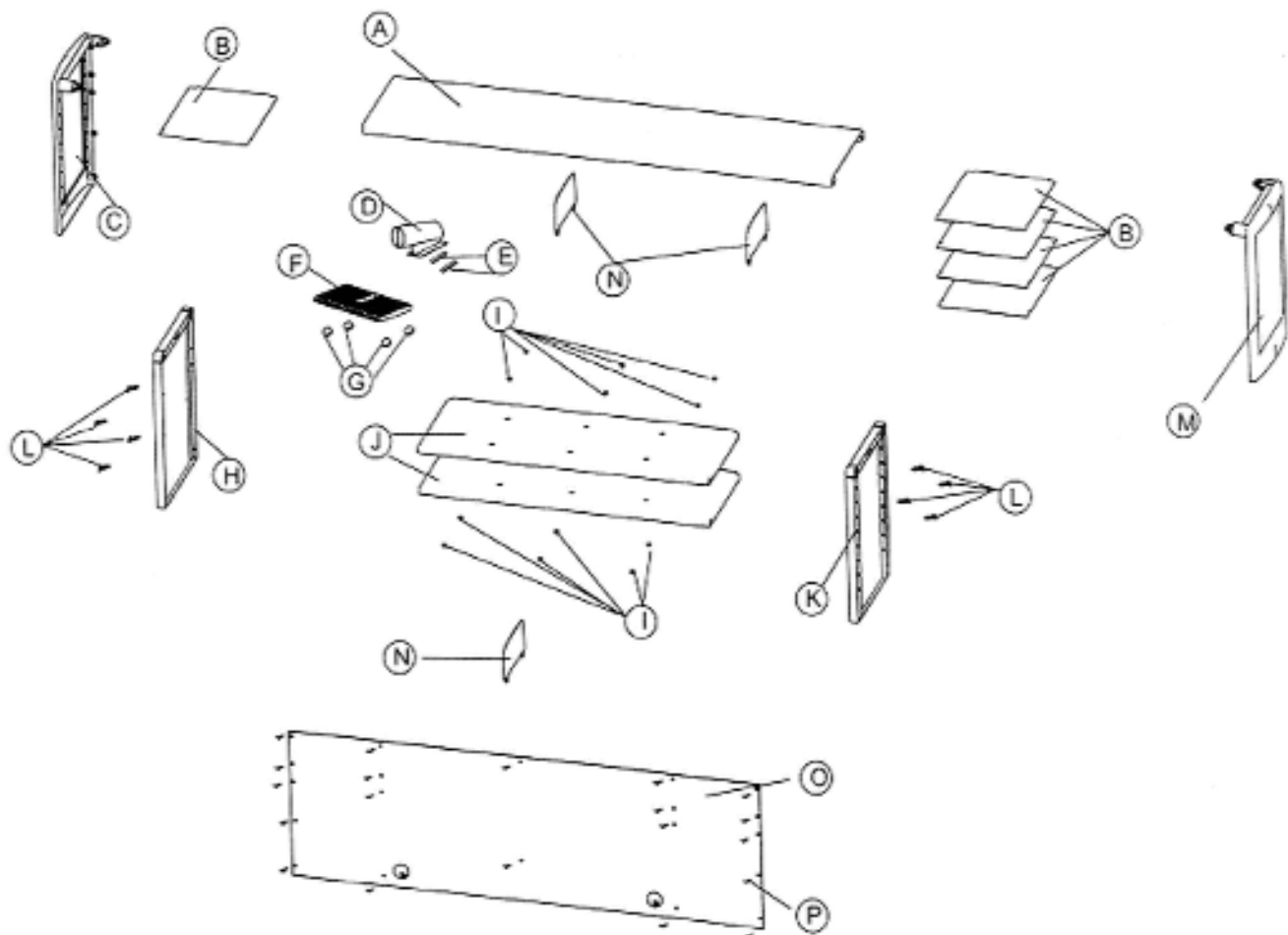


PARTSLIST			
LETTER CODE	DESCRIPTION	QTY	PART NO
A	TOP	1	1120A
B	SMALL SHELF	5	1120B
C	LEFT END	1	1120C
D	PENCIL CUP	1	1120D
E	ADHESIVE TAPE	4	1120E
F	CD STORAGE	1	1120F
G	FEET	8	1120G
H	LEFT SUPPORT	1	1120H

PARTSLIST			
LETTER CODE	DESCRIPTION	QTY	PART NO
I	HOLE INSERT	20	1120I
J	LARGE SHELF	2	1120J
K	RIGHT SUPPORT	1	1120K
L	SCREWS	8	1120L
M	RIGHT END	1	1120M
N	DIVIDERS	3	1120N
O	BACK	1	1120O
P	PUSH FASTENERS	20	1120P

TOOLS REQUIRED: SMALL FLAT-BLADE AND PHILLIPS SCREWDRIVERS



WARRANTY Buddy Products has a 2 year limited warranty against defects in workmanship and materials. Returns will be handled on a case by case basis.

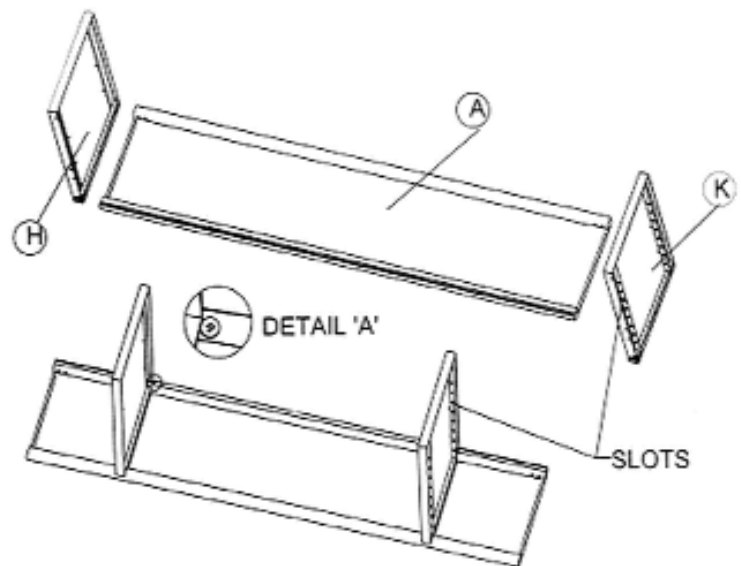
Assembly Instructions

IMPORTANT:

- * Please READ and FOLLOW these instructions carefully.
- * CHECK ALL PACKAGING-there may be parts in it
- * SORT and COUNT your parts compare with the Parts list on page 1. if you encounter problems, please refer to the Product Warranty registration form included with this product

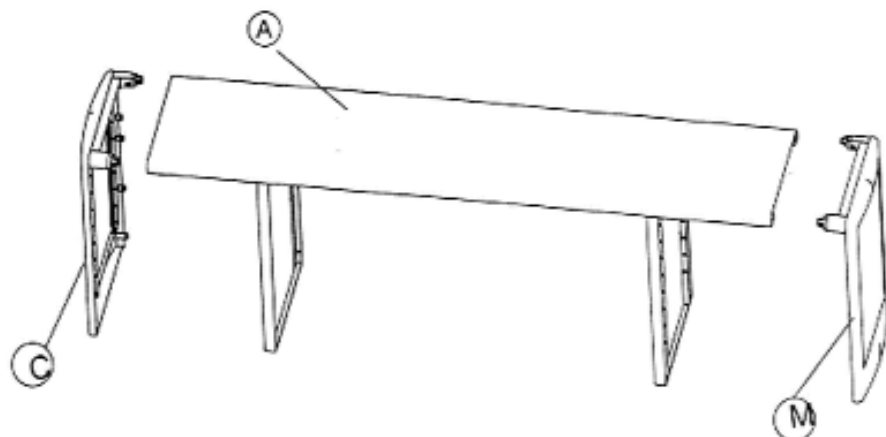
1

PLACE THE TOP(A) UPSIDE DOWN. SLIDE THE LEFT SUPPORT(H) AND RIGHT SUPPORT(K) INTO THE ROLL FORMS ON THE TOP. BE SURE THE SHELF SLOTS IN THE SUPPORTS ARE FACING OUTWARD. THE SCREW SHOWN IN DETAIL 'A' IS TOWARDS THE BACK OF THE UNIT, MAKE SURE THE LEFT AND RIGHT SUPPORTS ARE ASSEMBLED SUCH THAT THE HOLES ALONG THE SIDE FACE TOWARDS THE BACK OF THE ASSEMBLY.



2

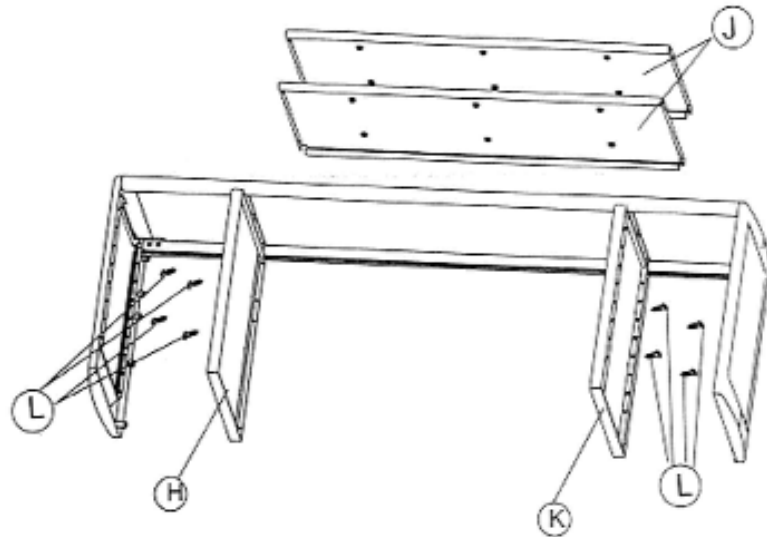
TURN THE ASSEMBLY OVER AND PUSH THE EXTRUDING KNOBS ON THE LEFT AND RIGHT ENDS(C&M) INTO THE ROLL FORMS ON THE TOP(A).



Assembly Instructions

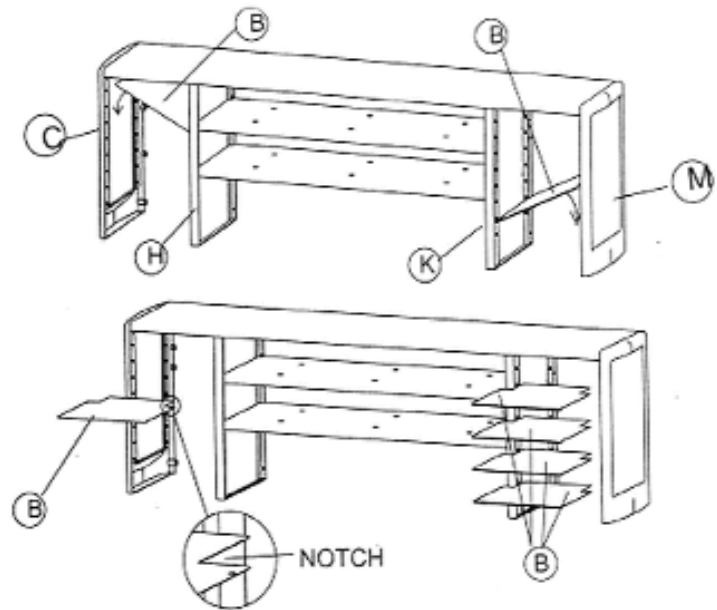
3

LAY THE ASSEMBLY ON ITS FRONT. PLACE ONE OF THE LARGE SHELVES(J) BETWEEN THE SUPPORTS(H&K). MAKE SURE THE EDGES OF THE LARGE SHELF ARE POINTING TOWARDS THE BOTTOM OF THE ASSEMBLY. LINE UP THE HOLES IN THE SUPPORTS WITH THE HOLES IN THE SIDES OF THE SHELVES. USING A PHILLIPS HEAD SCREWDRIVER AND FOUR SCREWS(L), SECURE THE LARGE SHELF TO THE SUPPORTS. REPEAT THIS FOR THE OTHER LARGE SHELF.



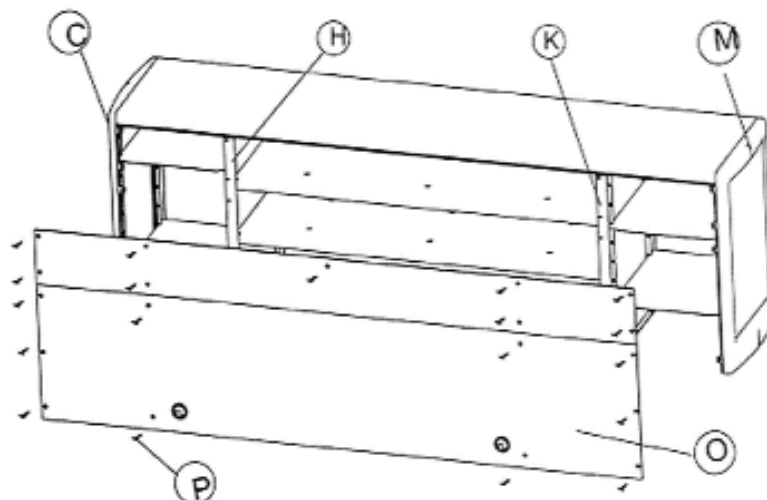
4

HOLD THE SHELF(B) AT AN ANGLE AS YOU PLACE IT BETWEEN ONE OF THE SUPPORTS(H OR K) AND THE CORRESPONDING END (C OR M). PLACE THE LOWER SIDE OF THE SHELF INTO THE SLOTS ON THE SUPPORT AT THE DESIRED HEIGHT. BRING DOWN THE OTHER SIDE OF THE SHELF UNTIL IT SLIDES INTO THE SLOTS ON THE END. MAKE SURE THE NOTCHES IN THE SHELVES ARE TOWARDS THE BACK OF THE ASSEMBLY. REPEAT THIS FOR ALL OF THE SMALL SHELVES.



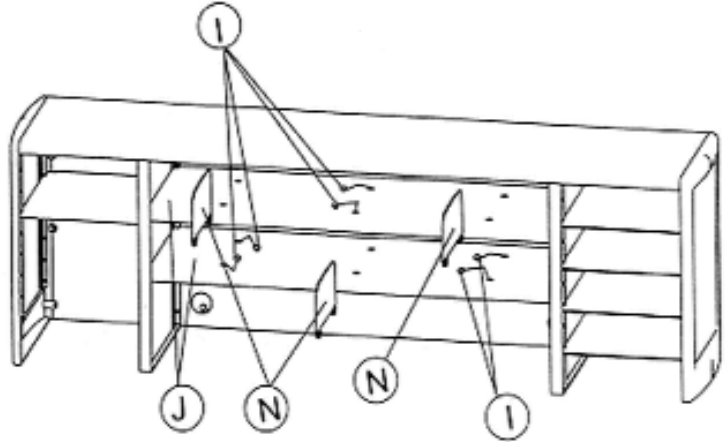
5

LINE THE HOLES IN THE BACK(O) UP WITH THE HOLES IN THE SUPPORTS(H&K), AND IN THE ENDS(C&M). USE THE PUSH FASTENERS(P) TO SECURE THE BACK TO THE ASSEMBLY.



6

PLACE THE DIVIDERS(N) IN THE DESIRED LOCATION BY PLACING THE TABS ON THE BOTTOM OF THE DIVIDERS INTO THE HOLES IN THE LARGE SHELVES(J). USE THE HOLE INSERTS(I) TO COVER THE UNUSED HOLES IN THE LARGE SHELVES.



7

SLIDE THE PENCIL CUP(D) INTO THE BACK OF THE CD STORAGE(F). USE THE ADHESIVE TAPE(E) TO PERMANANTLY PLACE CD STORAGE/PENCIL CUP ASSEMBLY, OR USE FEET(G).

