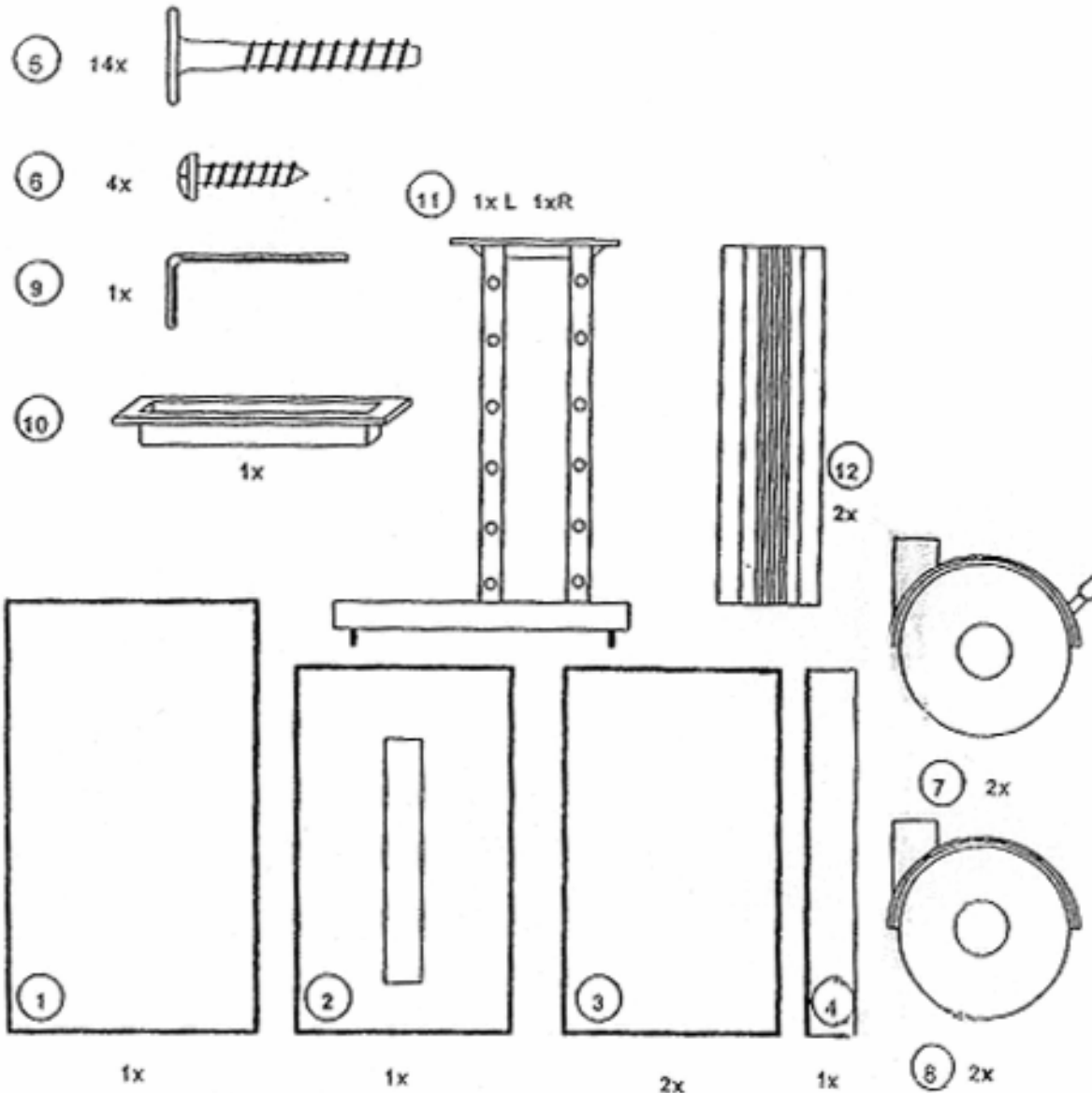
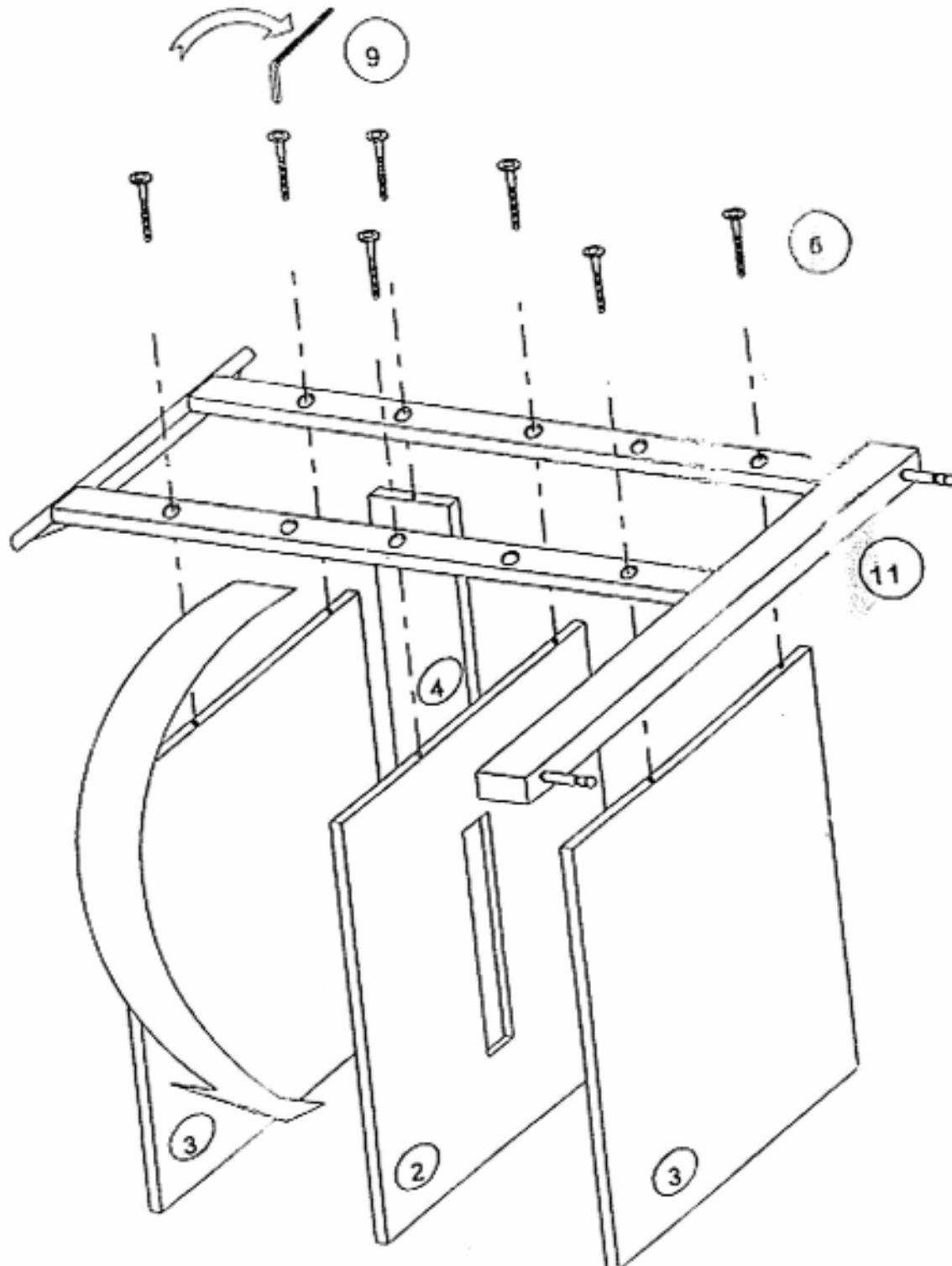


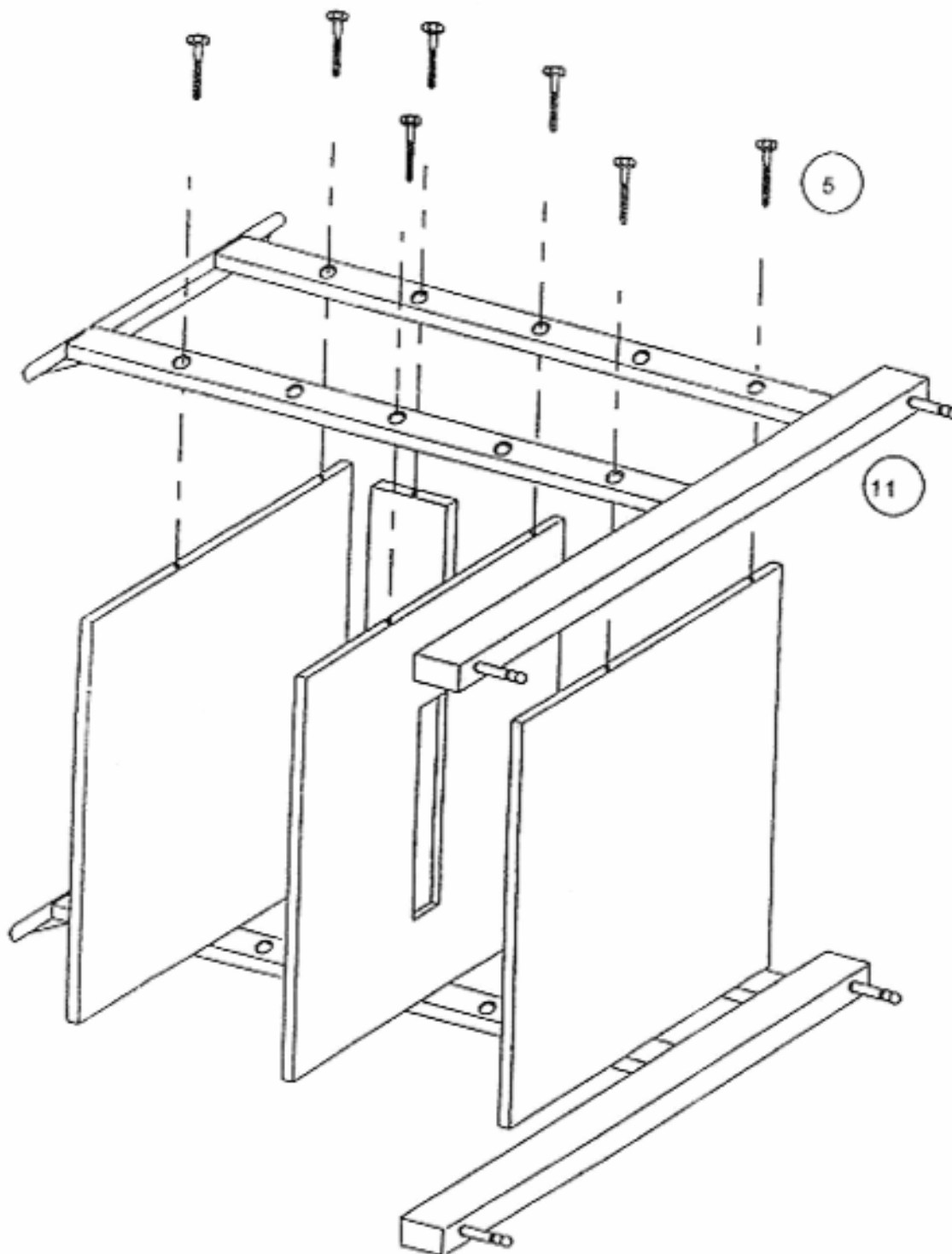
PARTS



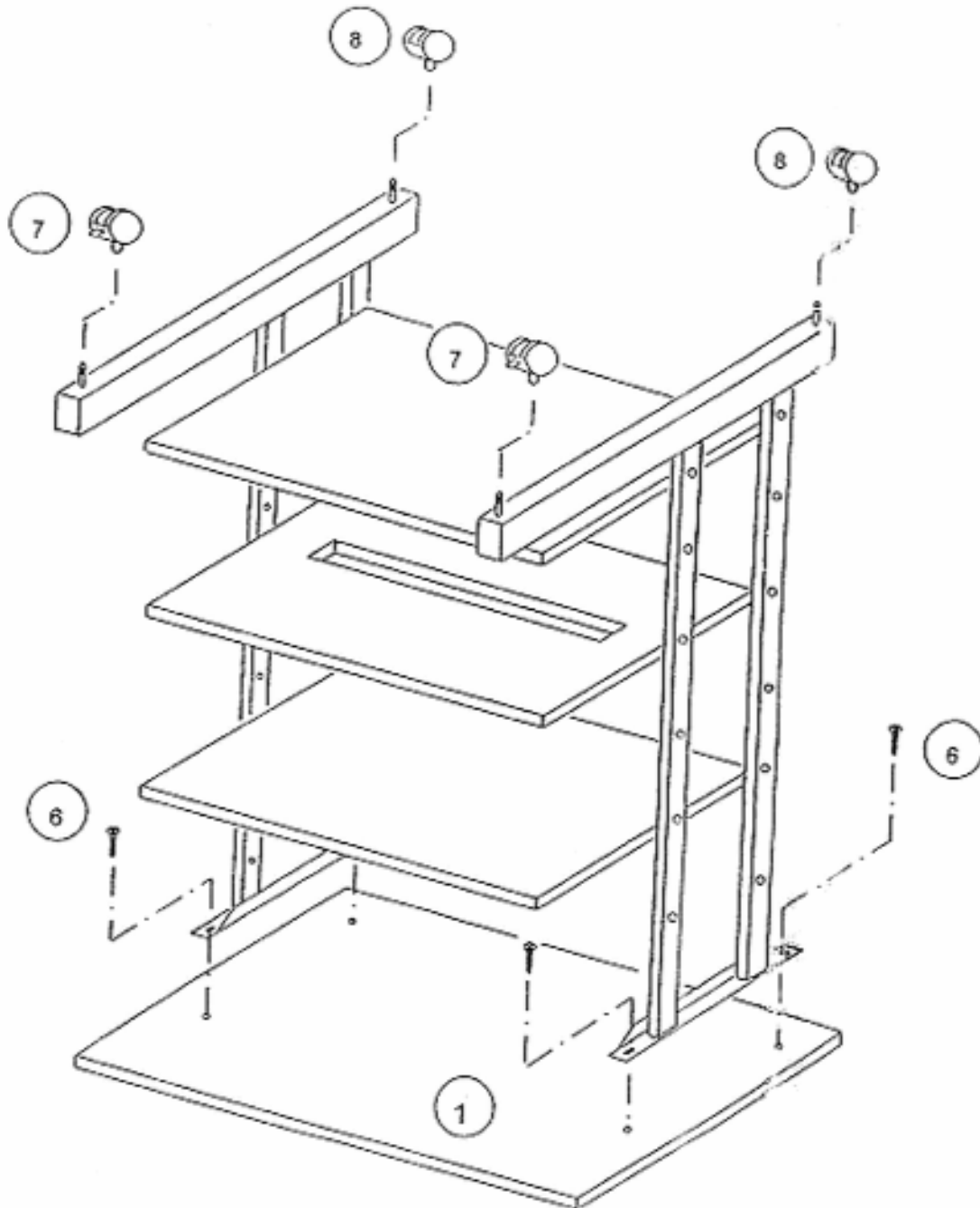
STEP 1



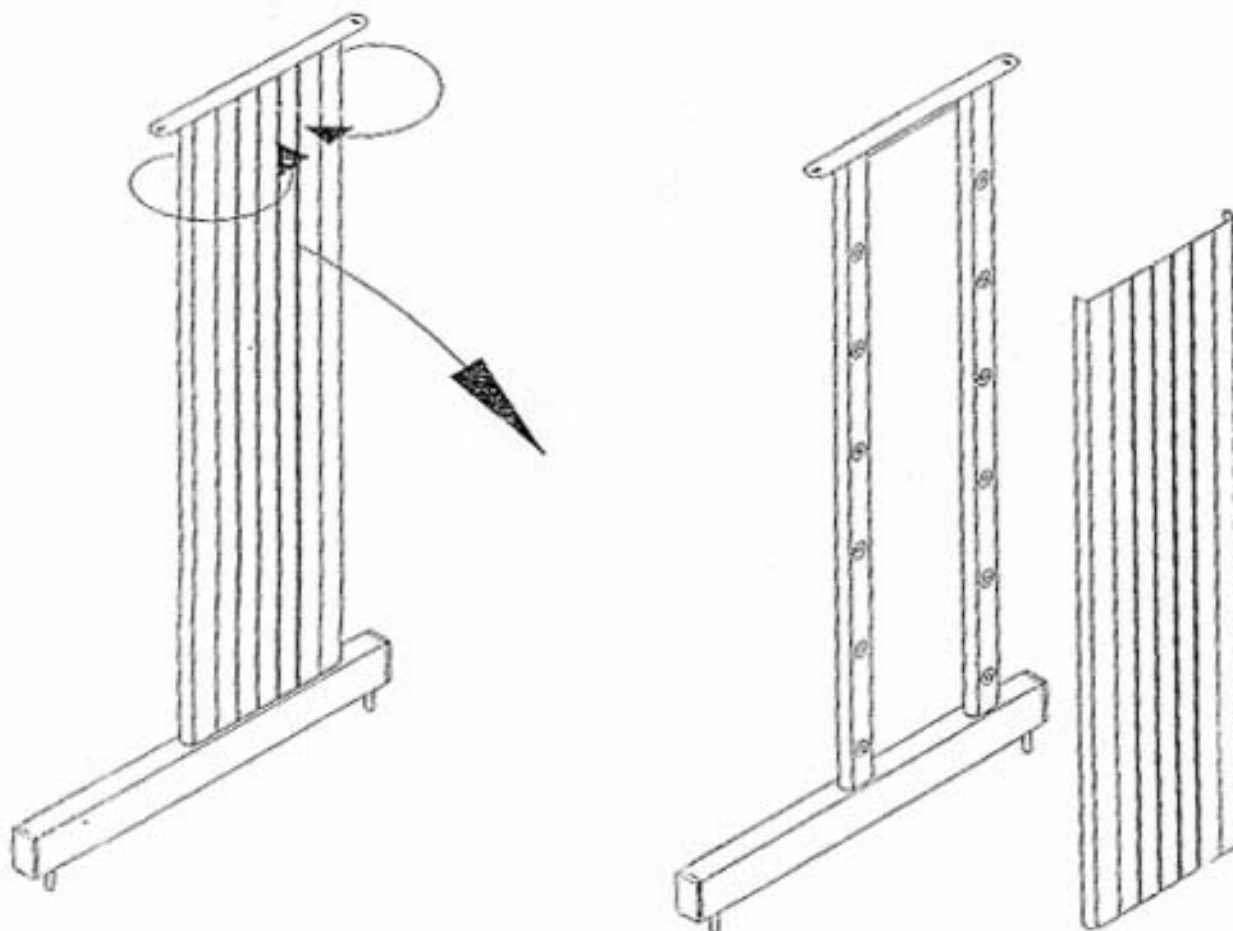
STEP 2



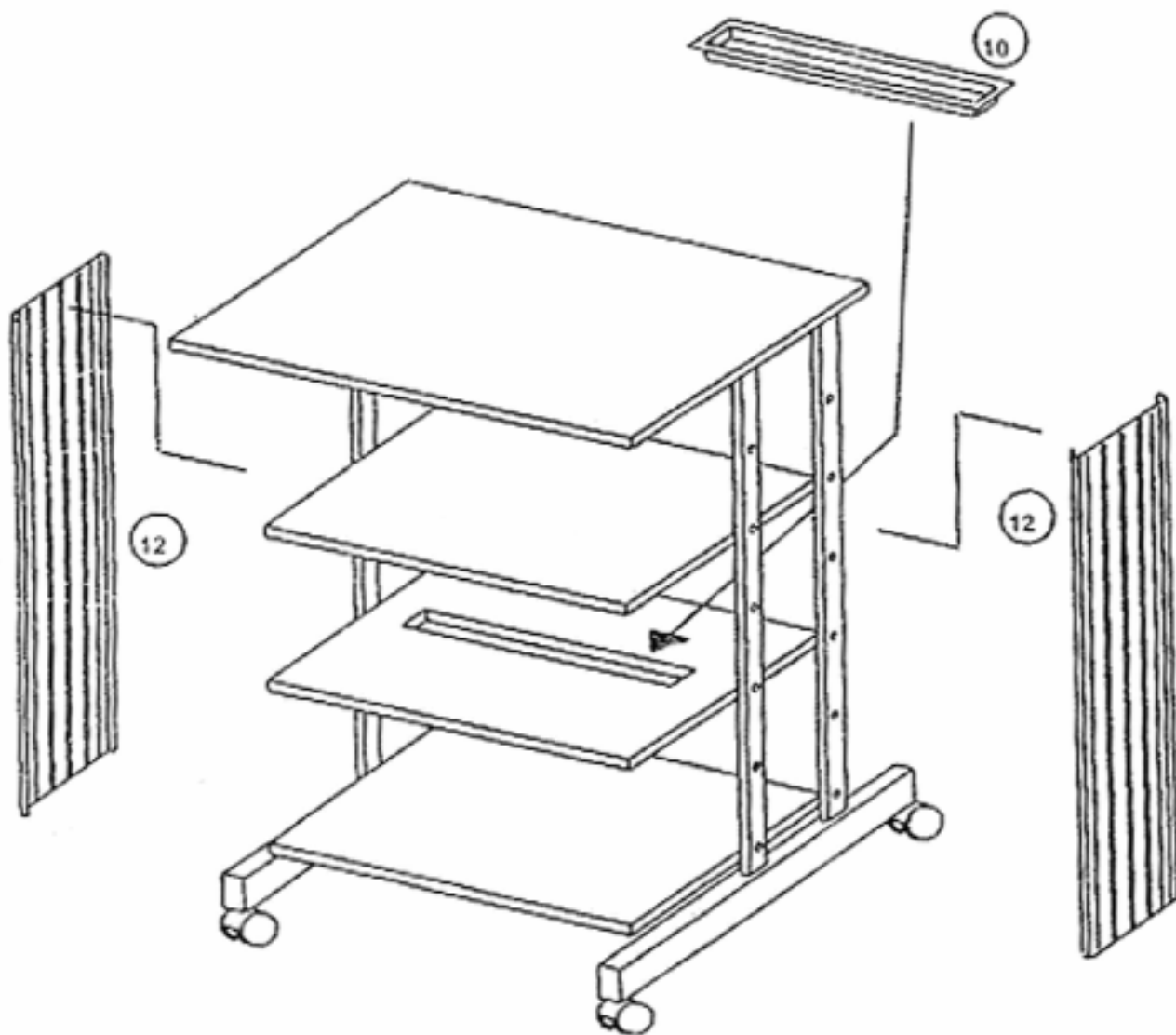
STEP 3



STEP 4



STEP 5



STEP 6

