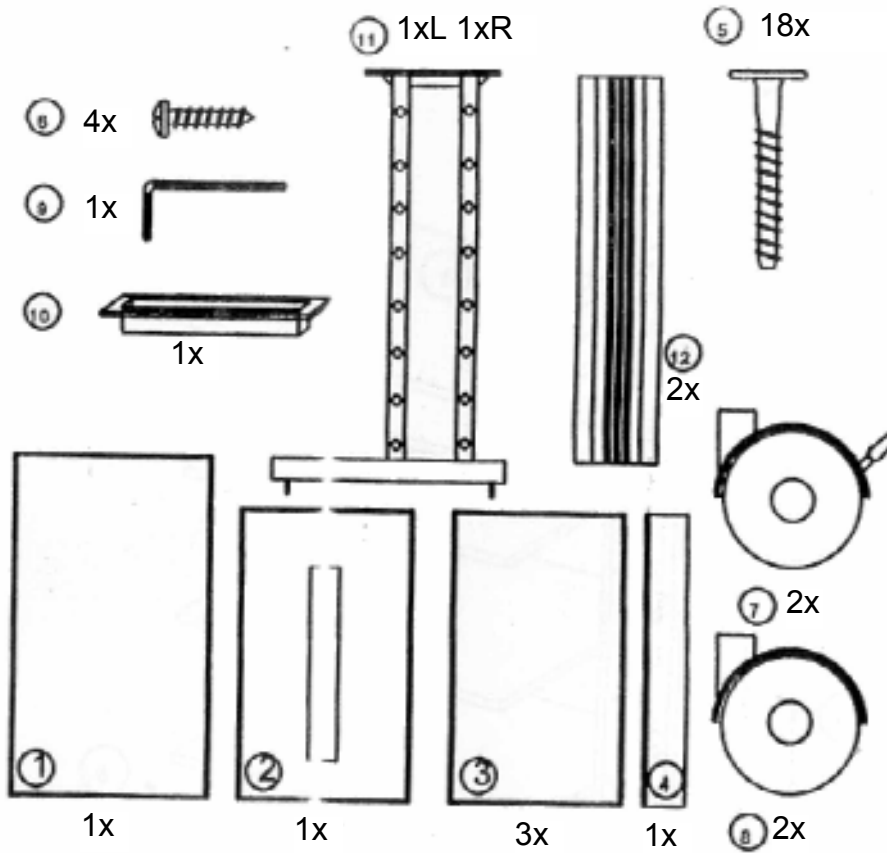
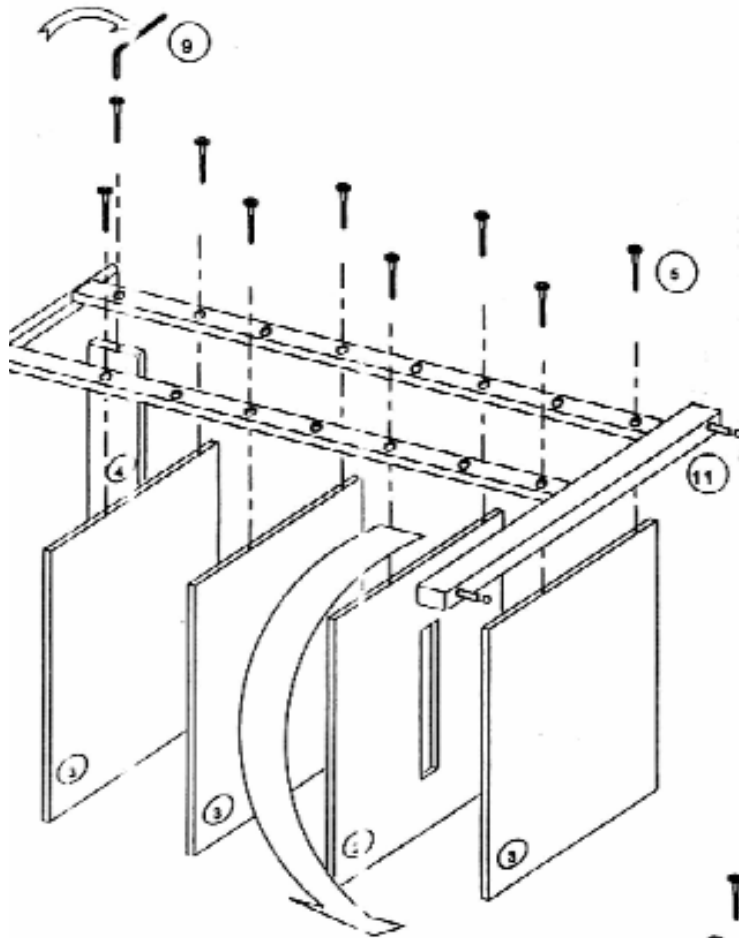


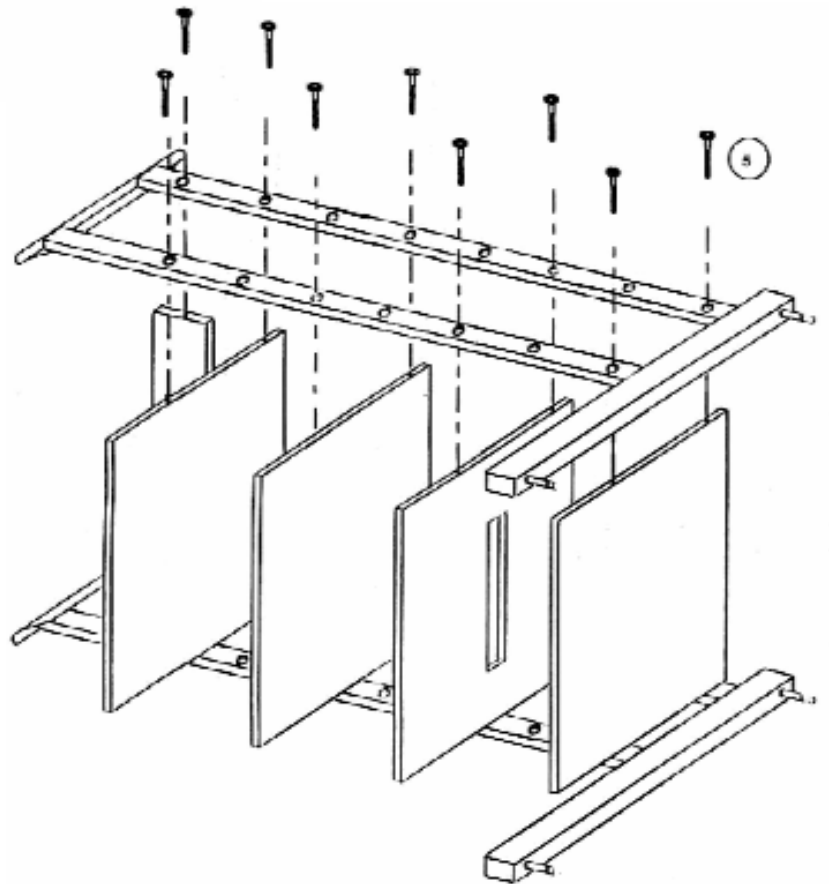
PARTS

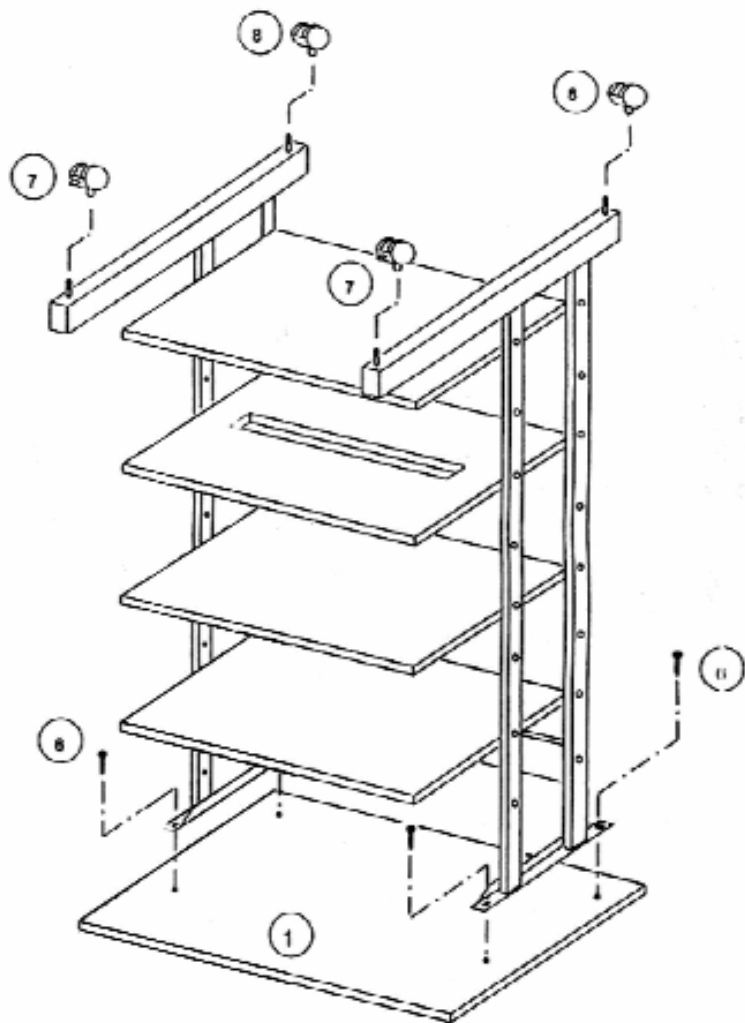




STEP 1

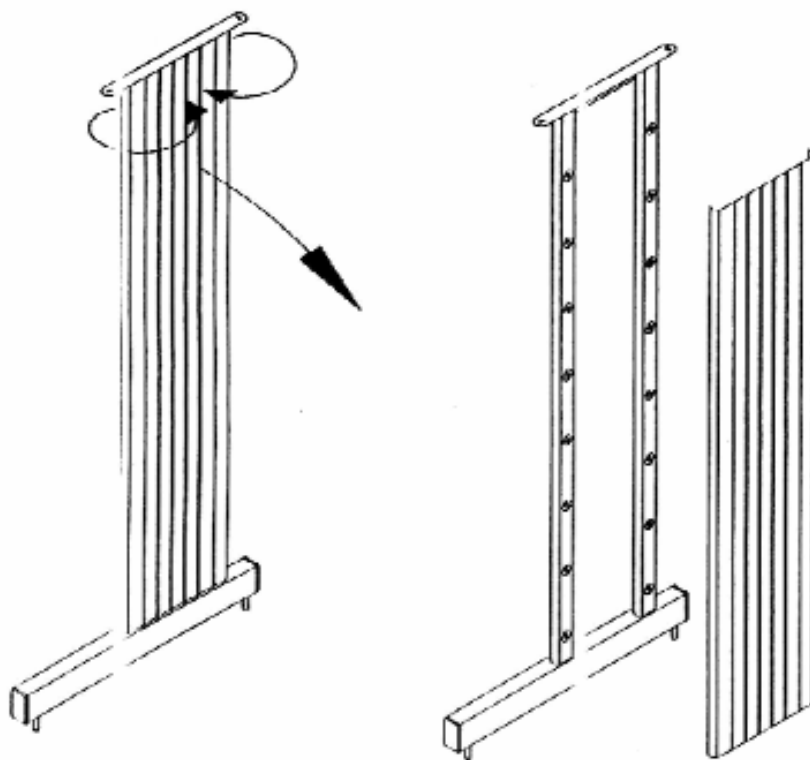
STEP 2

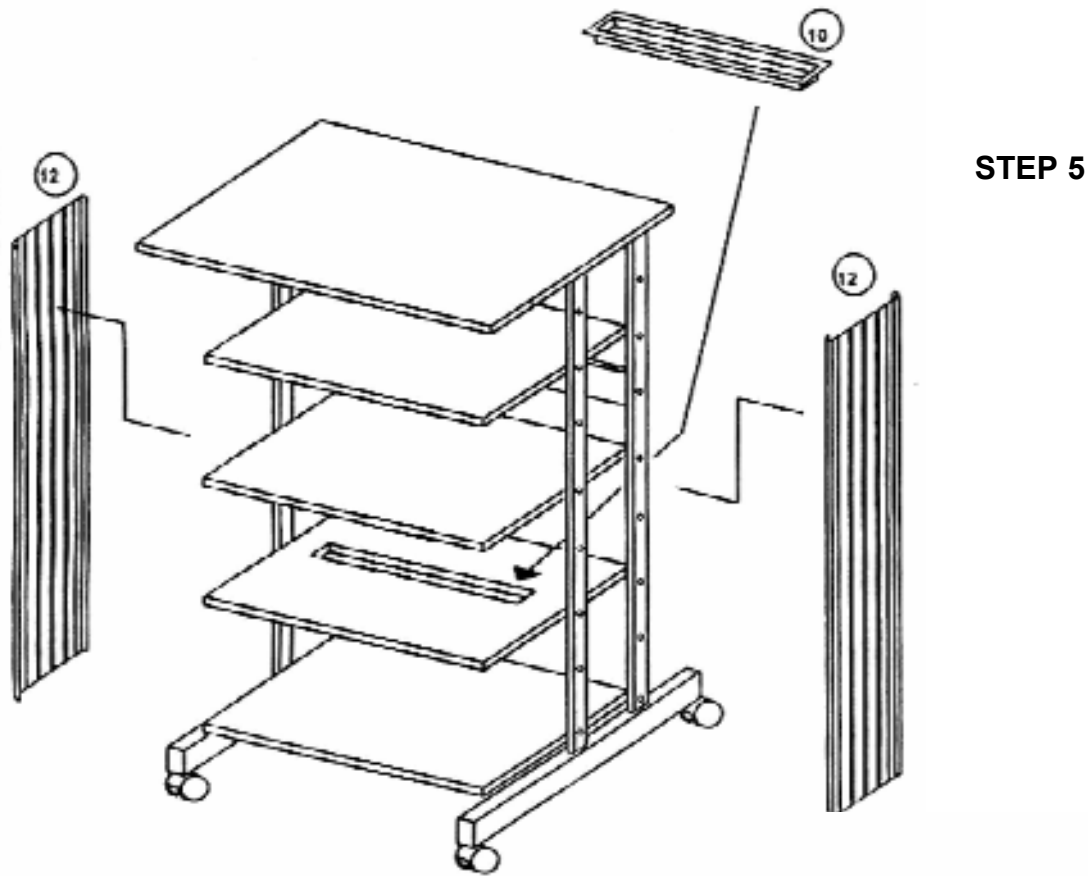




STEP 3

STEP 4





STEP 6

