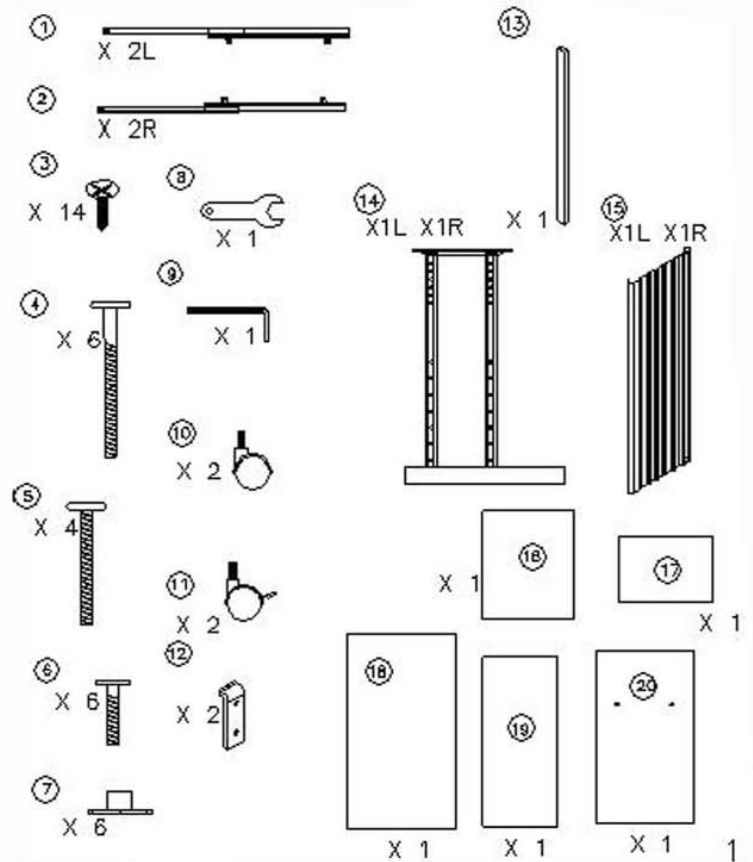
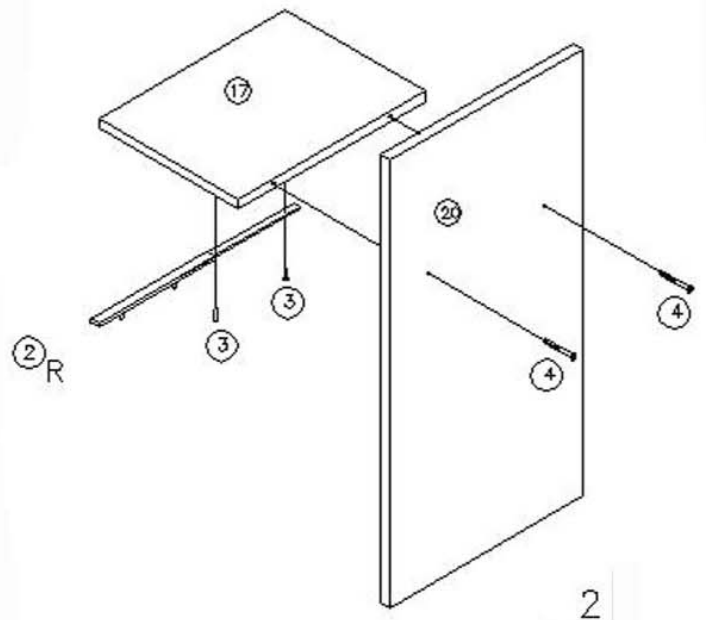


① Parts List



② Attach shelves (17&20) together with screws (4) Using philips screw driver. Attach right hand slide (2) at desired height to shelf (17) with screws (3) using philips screwdriver.
 *Note: Make sure the holes in shelf (17) for slide are in line with the holes on the top edge of shelf (20).

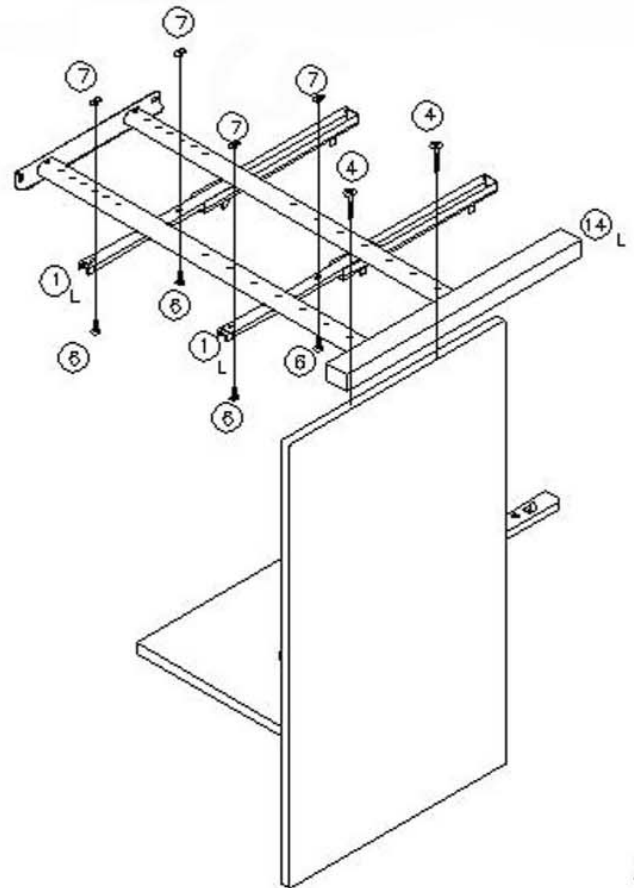


③

Attach the left frame (14L) to the assembly from step #2 with screws (4) using a philips screw driver. Attach two left slides (1) to the left frame (14L) with screws (6) and special nuts (7) using a philips screwdriver.

*Note: Make sure the dimpled holes and velcro on the frame (14L) are facing upwards.

*Note: Make sure the lower left slide (1) is placed so that it corresponds to the placement of the right slide (2) in step #2.

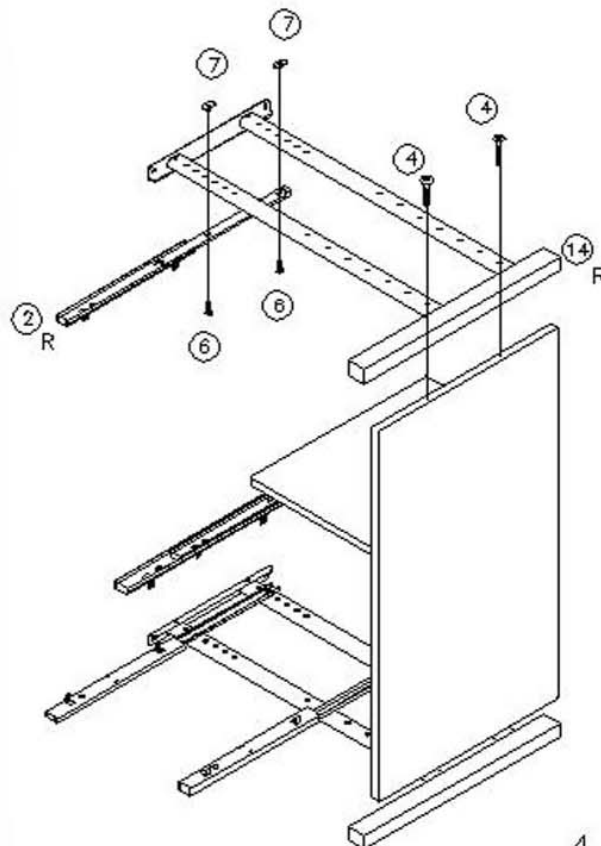


3

④

Attach the right frame (14R) to the assembly from step #3 with screws (4) and a philips screwdriver.

Attach the right slide (2) to the right (14R) with screws (6) and special nuts (7) using a philips screwdriver.

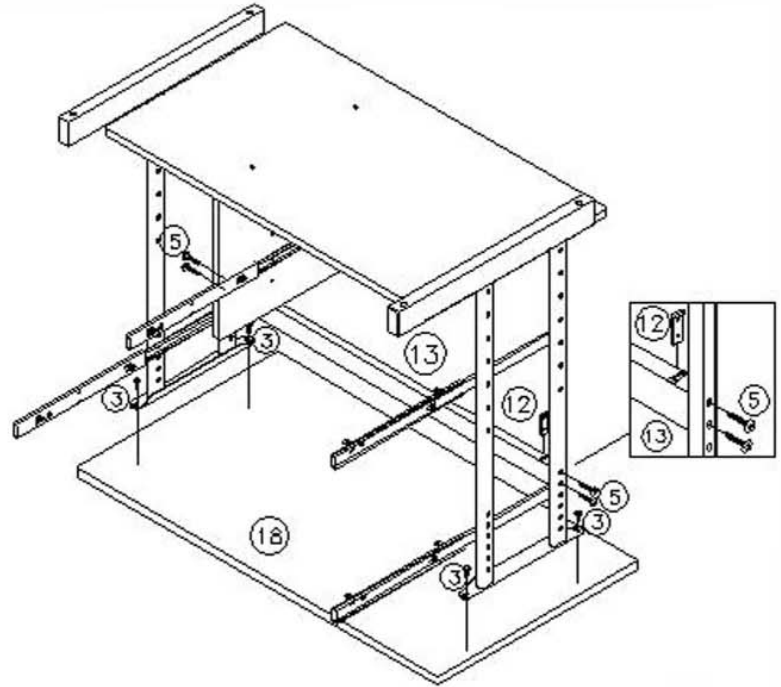


4

⑤

Place top (13) on floor with holes facing upwards. Attach assembly from step #4 to top (18) with screws (3) using a philips screwdriver.

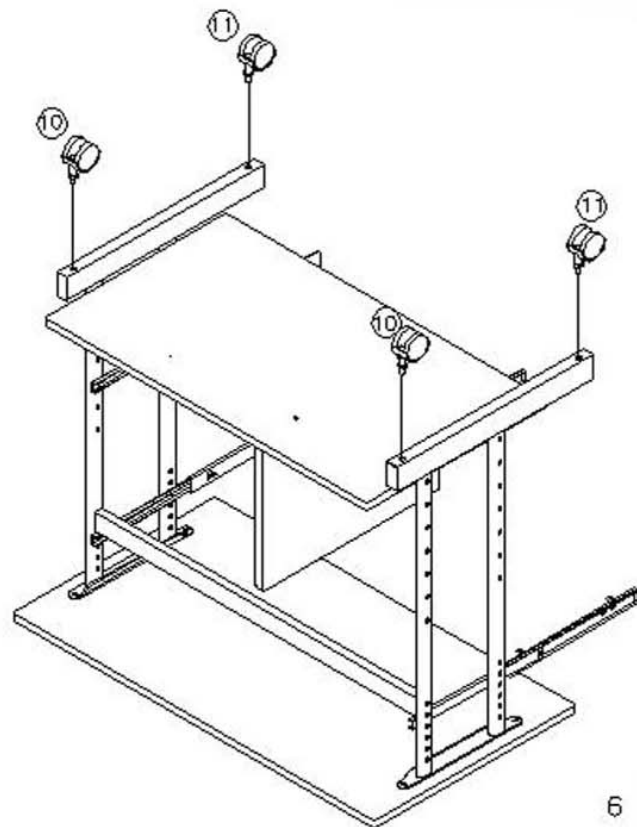
Attach the back panel (13) to the left frame (14L) with screws (5) using a philips screwdriver, turn the assembly upside down so that the right frame (14R) rests on the floor



5

⑥

Attach brake casters (11) and casters (10) lock with the frames (14) of the bottom tube each other



6

⑦

Stand assembly from step #6 on casters and attach keyboard shelf (19) to upper slides (1&2) with screws (3) using a philips screwdriver. Attach printer shelf (16) to lower slides (1&2) with screws (3) using a philips screwdriver. Attach side panels (15) to frames (14) with velcro.

