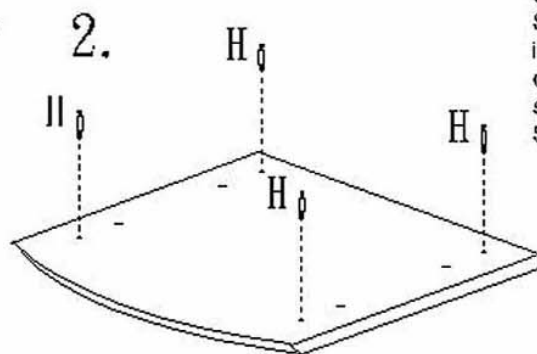
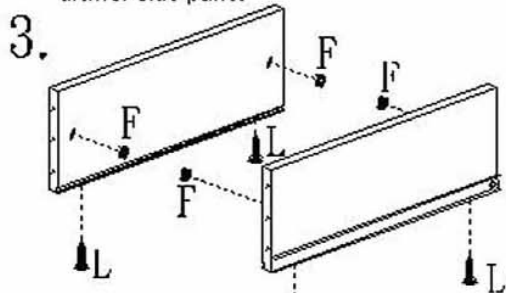


Push insert plugs F into 4 pre-drilled holes on the inside of each drawer side panel

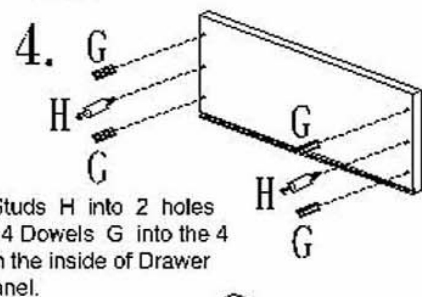
Push 1/4 turn insert plugs F into 4 pre-drilled holes on the top side of bottom shelf



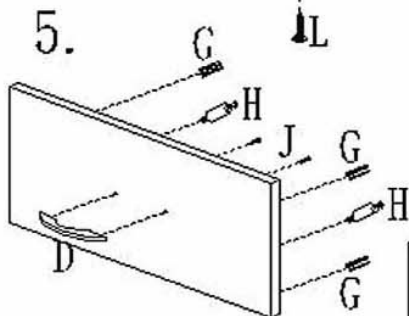
Screw Studs H into 4 holes on bottom side of Top Shelf



Attach Drawer guides to outside of each side panel with Wood Screws L

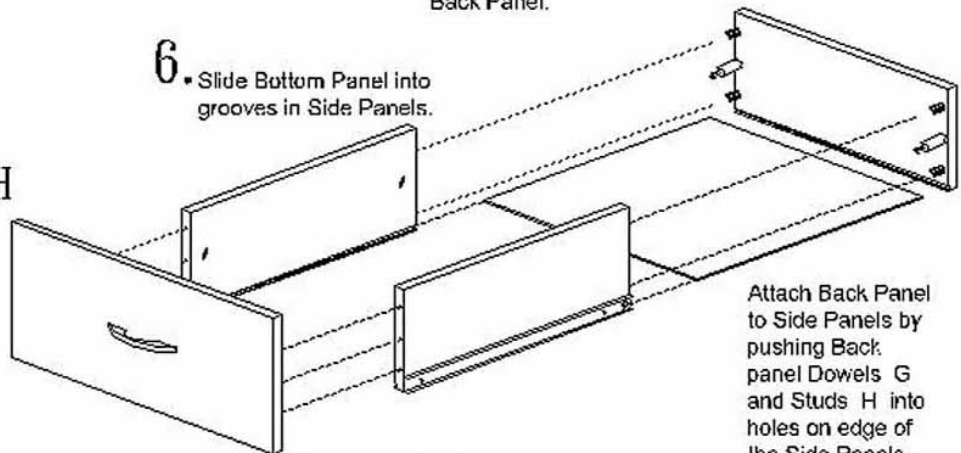


Screw Studs H into 2 holes and tap 4 Dowels G into the 4 holes on the inside of Drawer Back Panel.



Screw Studs H into 2 holes on inside of Drawer Front Panel. Tap Dowels G into 4 corner holes. Attach Handle D to Front of Drawer with two screws J

6. Slide Bottom Panel into grooves in Side Panels.



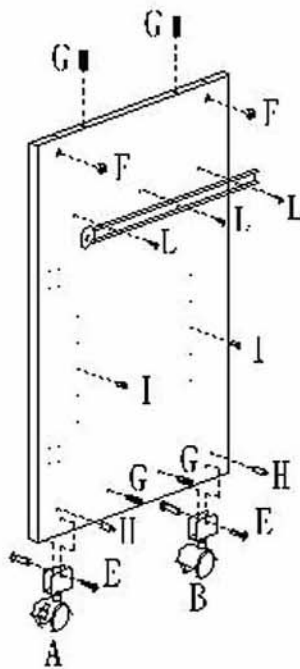
Assemble Drawer Front Panel to Side Panels by pushing Dowels G and studs H on the Front panel into holes on edge of the Side Panels and into the 1/4 turn inserts F in the Side Panels. Lock into place by turning the 1/4 turn inserts clockwise with the supplied hex wrench M.

Attach Back Panel to Side Panels by pushing Back panel Dowels G and Studs H into holes on edge of the Side Panels. Secure by turning Side panel inserts 1/4 turn clockwise with supplied hex wrench M.

7. Tap wood dowels "G" into top edge of each side panel

Attach Drawer guide to inside of each Side Panel with 3 wood screws "L"

Push Locking Caster "B" on back of each side panel and Caster "A" on front of each side panel. Secure to side panels with bolts and nuts "E"

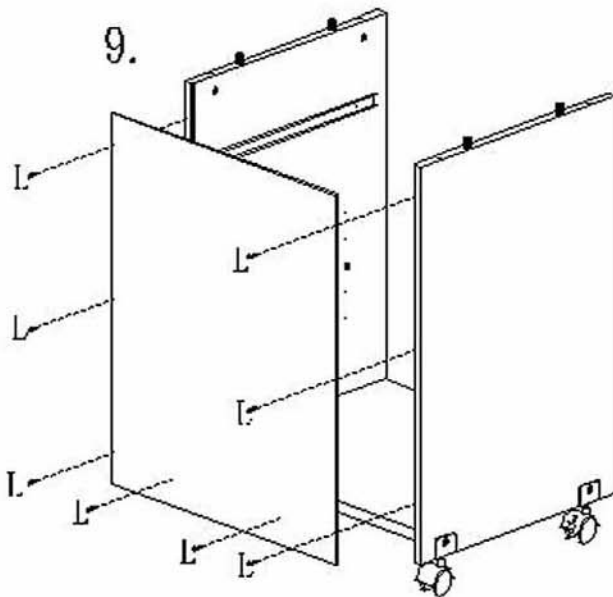
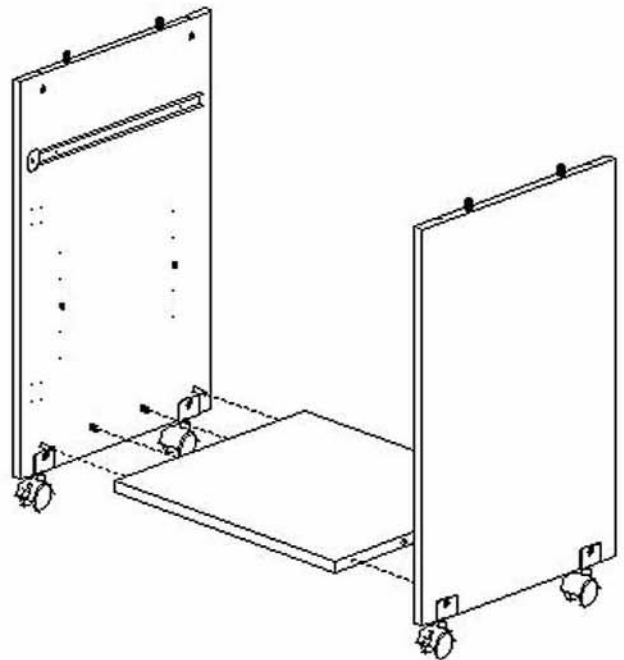


Push 1/4 turn insert plugs "I" into 2 pre-drilled holes near the top of each Side Panel

Push Shelf Support pins "I" into selected 2 pre-drilled holes on the inside of each side panel

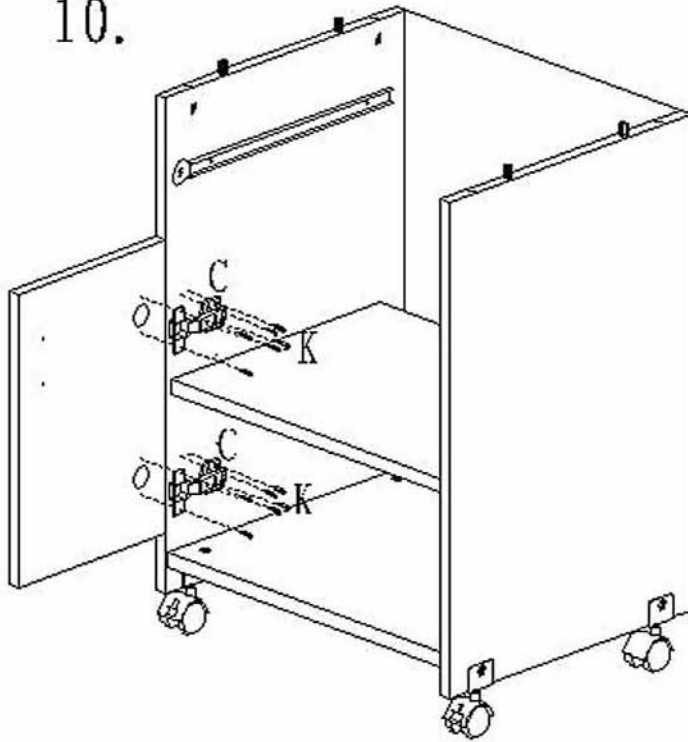
Screw Studs "H" into 2 holes and tap Dowels "G" into 2 holes near bottom of each Side Panel

8. Assemble each side panel to bottom shelf by pushing studs "H" and Dowels "G" on side panels into holes on edge of bottom panel and into the inserts "F" in the bottom shelf. Lock into place by turning the inserts clockwise with the supplied hex wrench "M"



Position Back Panel against bottom and sides and attach with 8 wood screws "L"

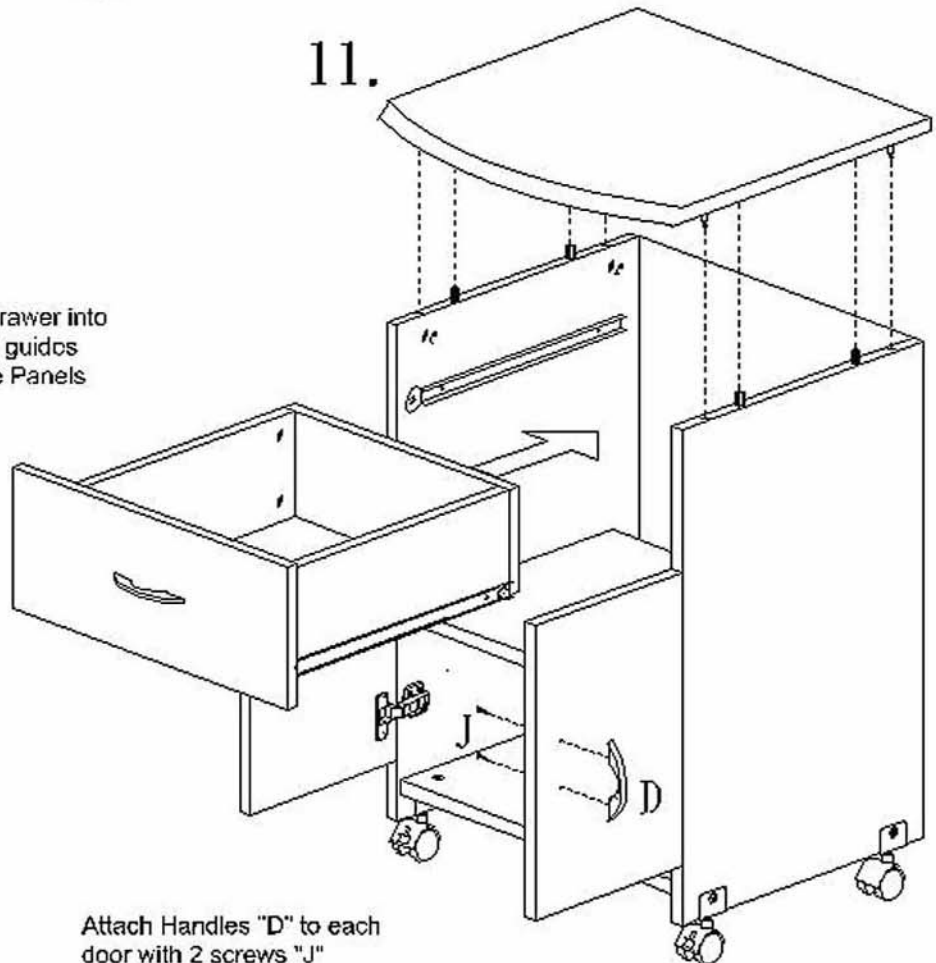
10.



Align studs and holes in Top Panel with holes and dowels in top of each Side Panel. Push Top Panel down so that Studs are inserted into 1/4 -turn insert plugs. Secure Top Panel by turning 1/4-turn Insert Plugs on side panels to tighten.

Position Doors against side panels and attach 2 Hinges "C" to each door with 4 wood screws "K"

11.



Slide Drawer into Drawer guides on Side Panels

Attach Handles "D" to each door with 2 screws "J"