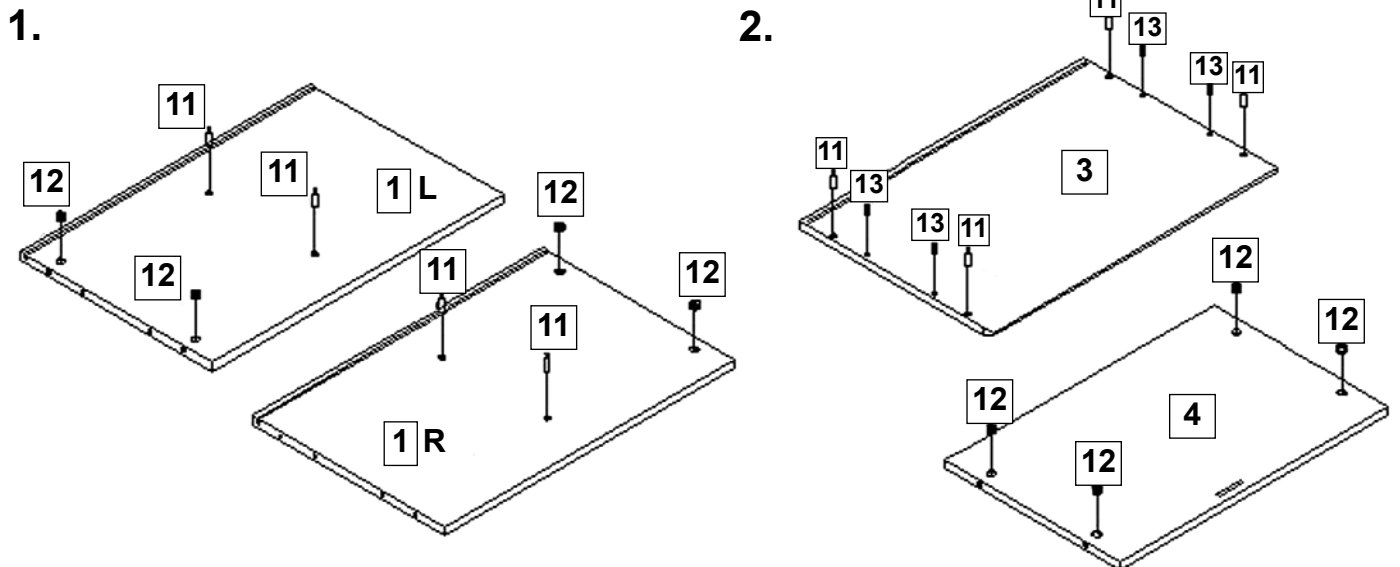
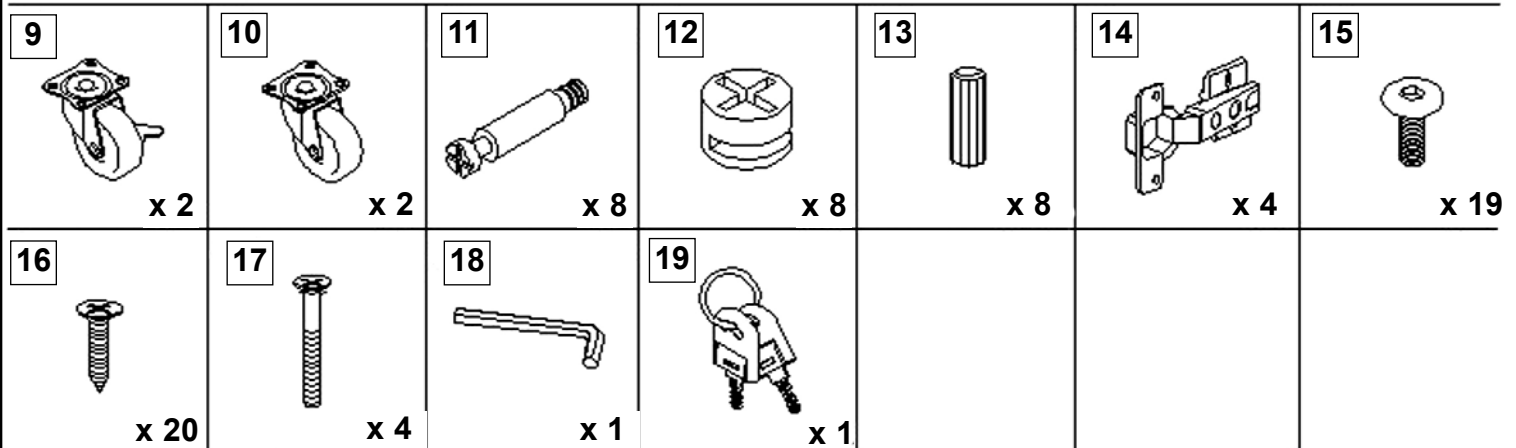
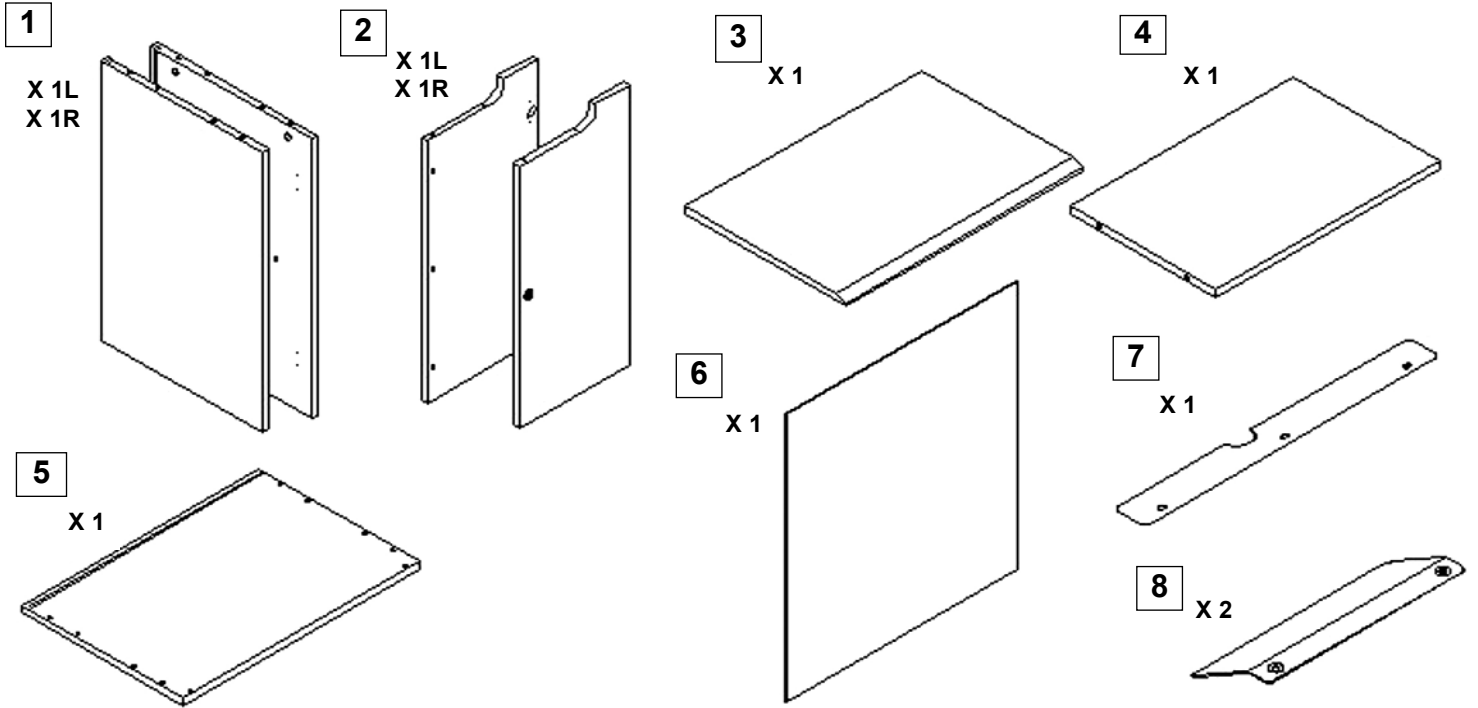


Buddy Products

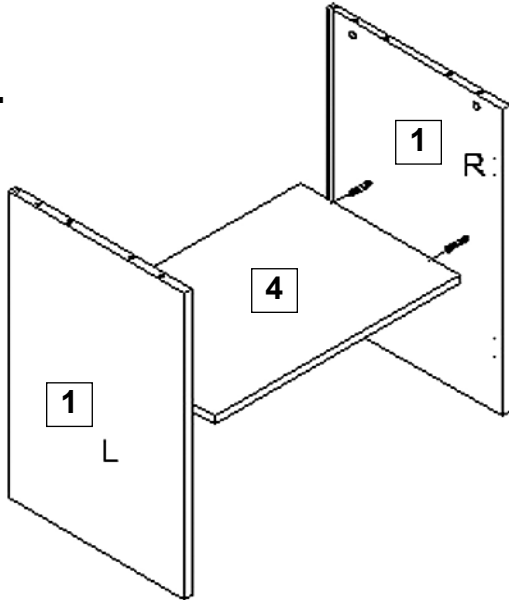
ITEM #9142

Assembly Instructions

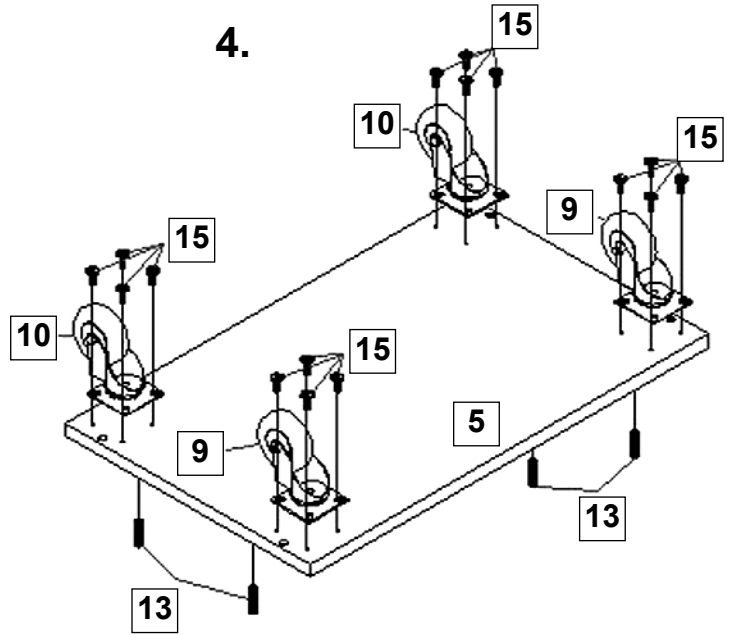


WARRANTY Buddy Products has a 2 year limited warranty against defects in workmanship and materials. Returns will be handled on a case by case basis.

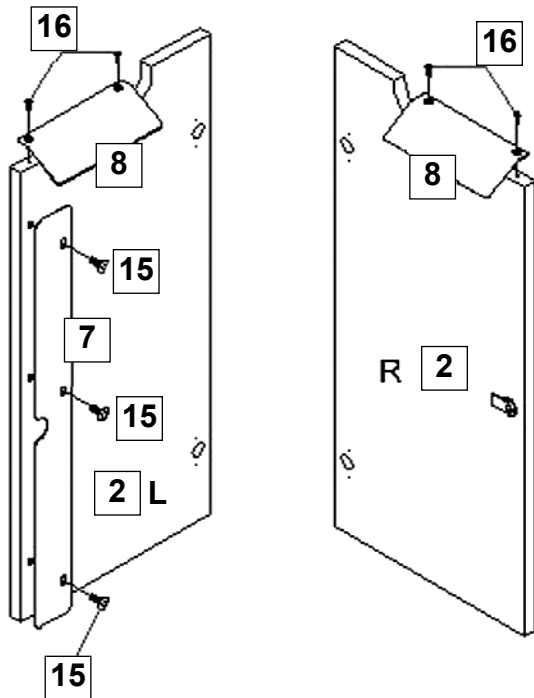
3.



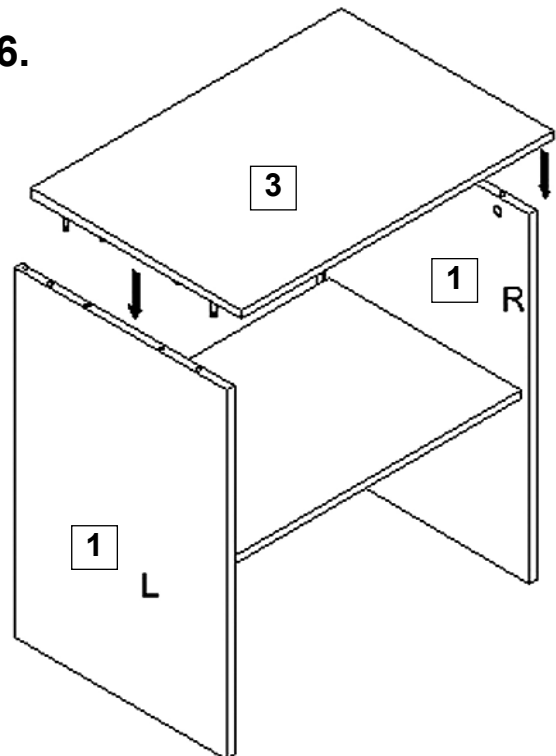
4.

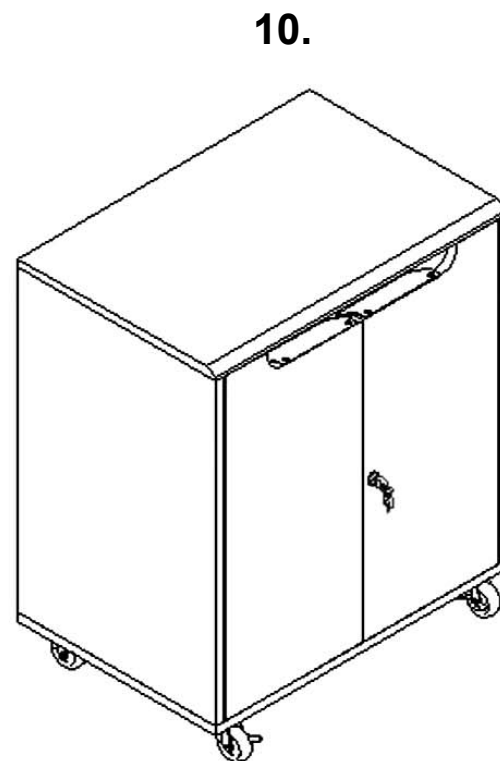
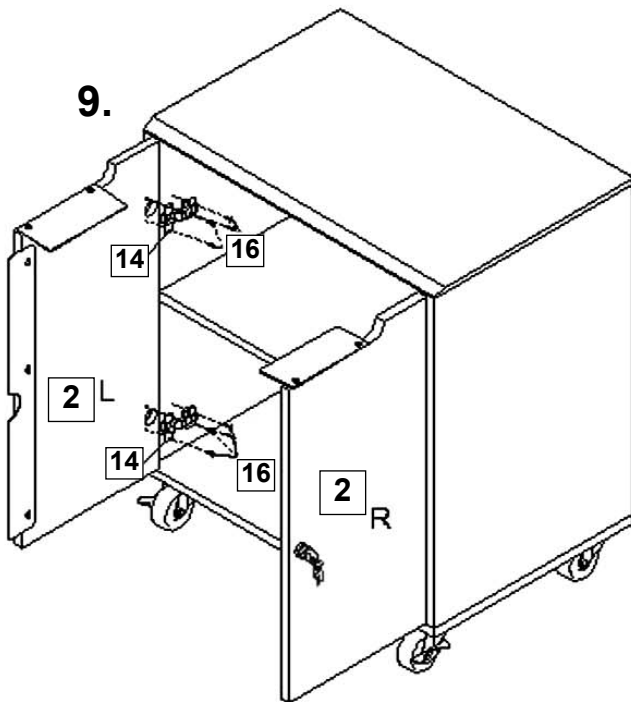
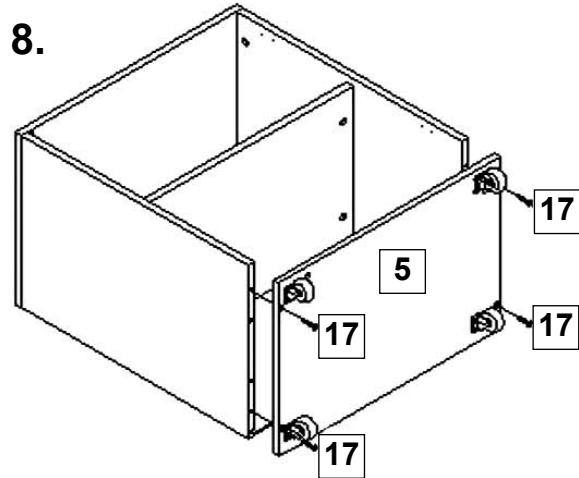
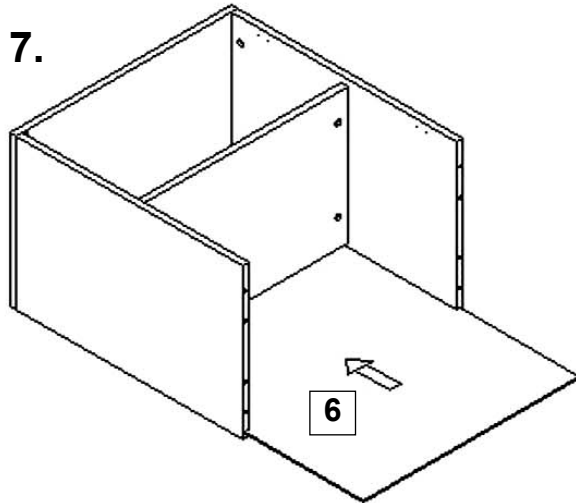


5.



6.





USPS COLLECTION TIMES		
Monday-Friday	Saturday	The latest collection time in the area is-
		address:
		time:
For more information call 1-800-ASK-USPS		
The address of this location is:		<small>For security reasons, Priority Mail paid with postage stamps and weighing 18 ounces or more must be deposited at a post office retail counter or handed to a letter carrier.</small>
		Buddy Products

A mail "Collection Times" card is provided with each unit. This card has an adhesive back. Simply peel off the backing and adhere the card any place on the cart you see fit!

This card's sole purpose is to make employees aware of the mail collection time in your office. Simply fill out the card based around your own mail pick up and delivery schedule. For example: if an employee drops off the mail at the post office daily list the time that employee would be leaving your office with the mail bins in the "Latest Collection Time" column.

NOTE: THIS CARD IS DESIGNED TO BE REUSABLE; ONLY WRITE WITH A DRY ERASE MARKER ON THE CARD! PERMANENT MARKER WILL RUIN THE CARD! When using a dry erase marker information can easily be wiped off and changed as necessary.

WARRANTY INFORMATION

Warranty - September 2006

Buddy Products has a two year limited warranty against defects in materials and workmanship.

Returns will be handled on a case by case basis.