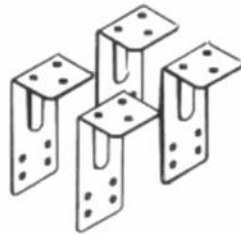
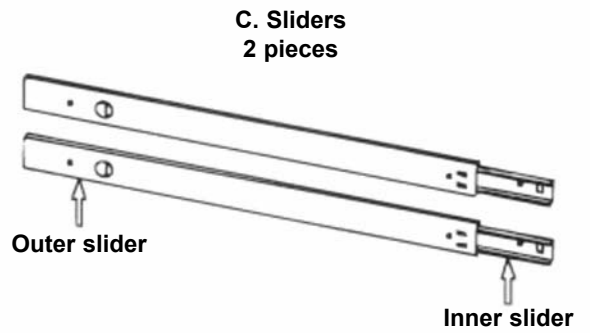


A. Keyboard drawer tray
1 piece



B. Brackets
4 pieces



C. Sliders
2 pieces

D. Bolts
8 pieces



E. Washers
4 pieces

F. Nuts
4 pieces

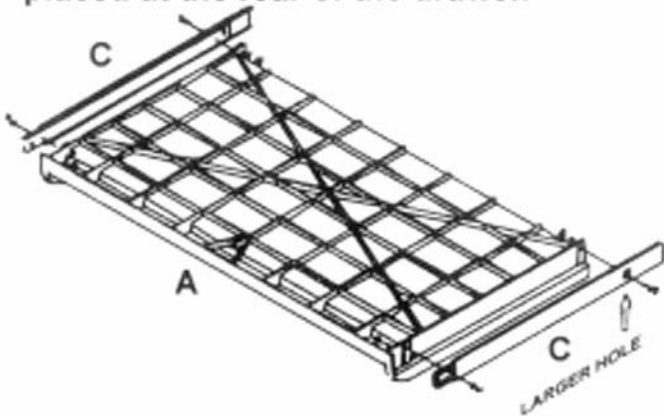


G. Long Bolts
4 pieces

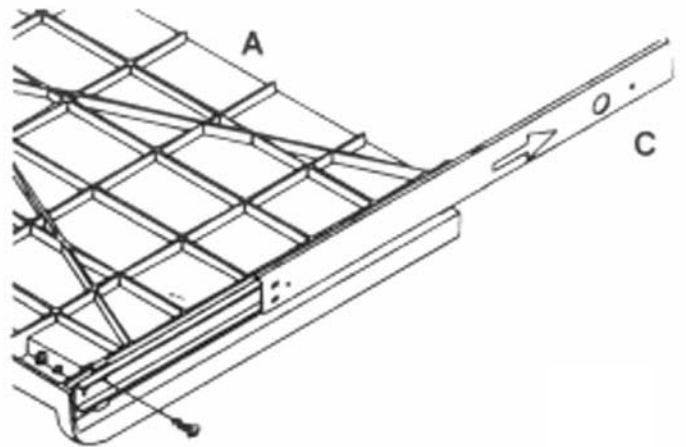
H. Bracket Screws
12 pieces



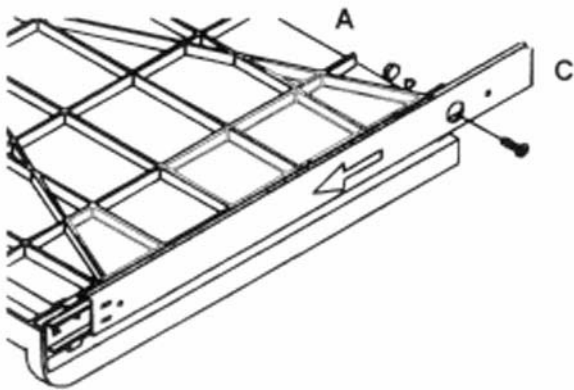
Attached each of the sliders (C) to both sides of drawer (A), as shown. Make certain to have the outer slider; outwards and the inner slider inwards. The large access hole on the outer slider must be placed at the rear of the drawer.



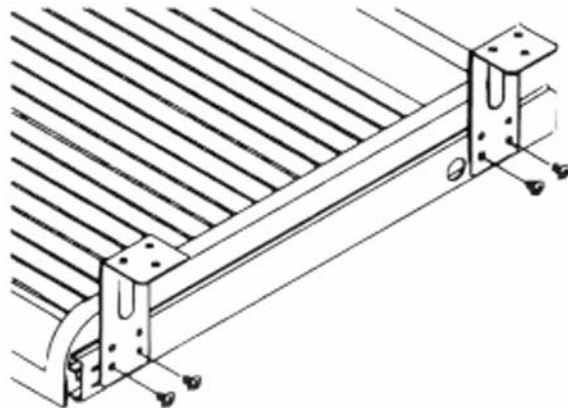
Slide the outer slider backwards and attach the inner slider to the drawer with bolt (G), washer (E) and nut (F).



Slide the outer slider to the front and line up the large access hole of the outer slider with the screw hole of the inner slider and drawer; attach the inner slider to the drawer with bolt (G), washer (E) and nut (F).



You should face the brackets outward as shown. Attach the brackets to the drawer by using bolts (D).



There should be at least a 2" clearance or greater on each side of the drawer when placed under the desk. Attach the brackets (B) to the desk by using brackets screws (H).

