

A. Casters (2)



B. Locking Casters (2)



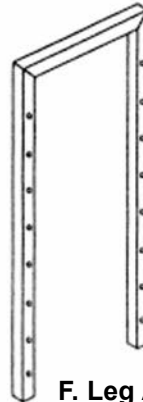
E. Washers (24)



C. Screws (12)

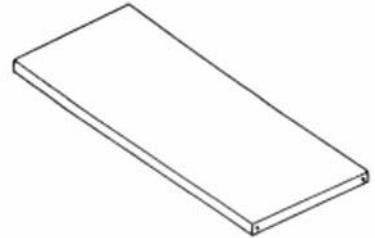


D. Nuts (12)



F. Leg Assemblies (2)

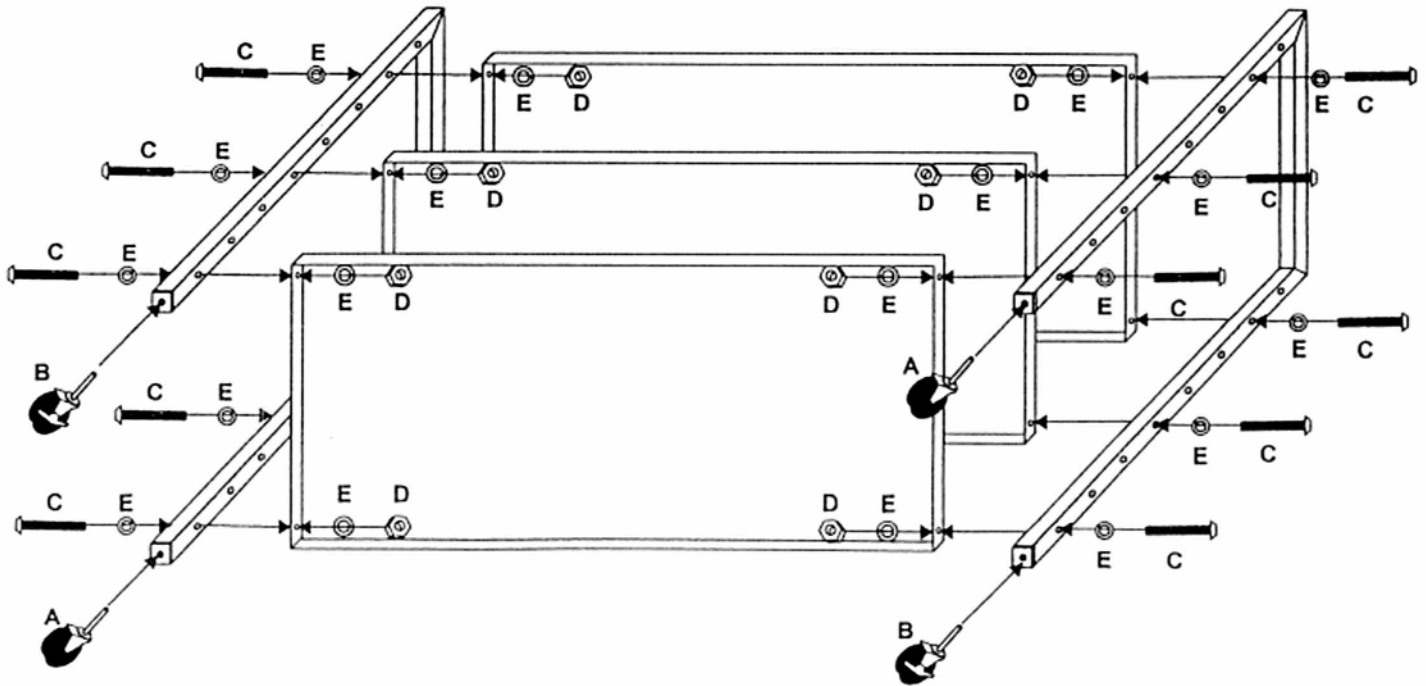
G. Shelves (3)



1. FOR EASY ASSEMBLY, LAY THE LEGS ON THEIR SIDES.
2. LINE THE SHELVES UP TO THE HOLES AT DESIRED HEIGHTS AND ATTACH WITH SCREWS (C), WASHERS (E) AND NUTS (D) PROVIDED.

3. INSERT CASTERS (A & B) INTO THE SOCKETS WITH LOCKING CASTERS (B) ON OPPOSITE CORNERS.

NOTE: SHELVES MAY BE ASSEMBLED UPSIDE-DOWN FOR USE AS TRAYS.



**WARRANTY** Buddy Products has a 2 year limited warranty against defects in workmanship and materials. Returns will be handled on a case by case basis.

Questions or Concerns? Feel free to call our customer service department at 800-886-8688. Business hours are 7:30am - 4:30pm CST or you can visit our web site at [www.buddyproducts.com](http://www.buddyproducts.com)